



ECO LITE ELECTRONICS CO., LTD 2019-2020

## LED LIGHTING SOLUTION 2019-2020

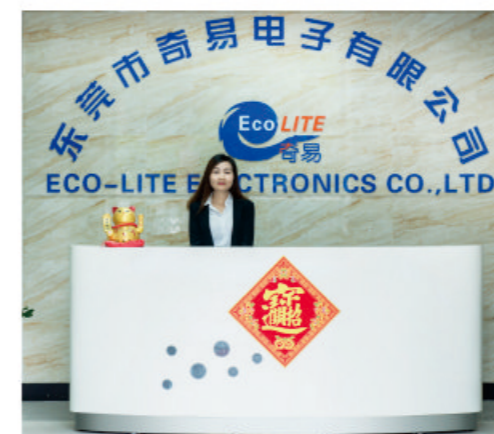


### ECO LITE ELECTRONICS CO., LTD

Add: No.39,Yanhe Road,3rd Industrial Zone,Xiabian  
Changan Town,Dongguan City,Guangdong,China,523877

- Tel: +86-769-81873105
- Fax: +86-769-81873106
- E-mail: info@ecolite-cn.com
- Http://www.ecolite-cn.com

Exterior Lighting • Interior Lighting



## Company profile

ECO LITE Electronics Co., Ltd is dedicated to the development of Architectural Lighting and Commercial Lighting, combination with research and development, design, manufacture and sales. The factory is located in Dongguan City, Guangdong province, China.

In product quality and technology as the core, ECO LITE set our own reliability laboratory, which include UV test, thermal shock test, saltwater test, IP test and so on, also has our CNC machine, we develop new products every year, and do many customized products for customers to meet different customer's demand, with the excellent quality and product design to obtain a good reputation of the customers from all over the world.

ECO LITE insists on the enterprise development outline of "strong technical force, reliable quality assurance, and first-class service", seen the customer as close partner and growing together. Sincerely willing to set long-term cooperation with our esteemed customers.

ECO LITE

Provides Professional LED Lighting Solutions  
for Architectural & Commercial Lighting



# Equipments:



# Certificates:



ECO LITE

Provides Professional LED Lighting Solutions for Architectural & Commercial Lighting

# Contents



<b>EXTERIOR LIGHTING</b> .....	<b>6-91</b>
LED Flex lite .....	8-19
EFS Linear Light .....	20-39
IP67 Flexible Strip .....	40-41
Mini Line Grazer Light .....	42-61
Flood Light .....	62-67
Inground Light .....	68-87
Garden Light .....	88-91
Fiber Optic System .....	92-93
<b>INTERIOR LIGHTING</b> .....	<b>94-140</b>
Down Light .....	96-121
Cabinet Light .....	122-129
Spotlight .....	130-133
Flexible LED Strip .....	134-137
Aluminum Profile .....	138-140





## EXTERIOR LIGHTING



- LED Flex Lite
- EFS Linear Light
- IP67 Flexible Strip
- Mini Line Grazer Light
- Flood Light
- Inground Light
- Garden Light
- Fiber Optic System





## LED Flex Lite



1. Patented Products;
2. Working temperature -20 ~+65 degree;
3. Anti-UV, Anti-saltwater;
4. Flammability test UL94 V1;
5. Smoke and Toxicity test approval;





>EN001 SERIES



IP67

UL94 V1

UV

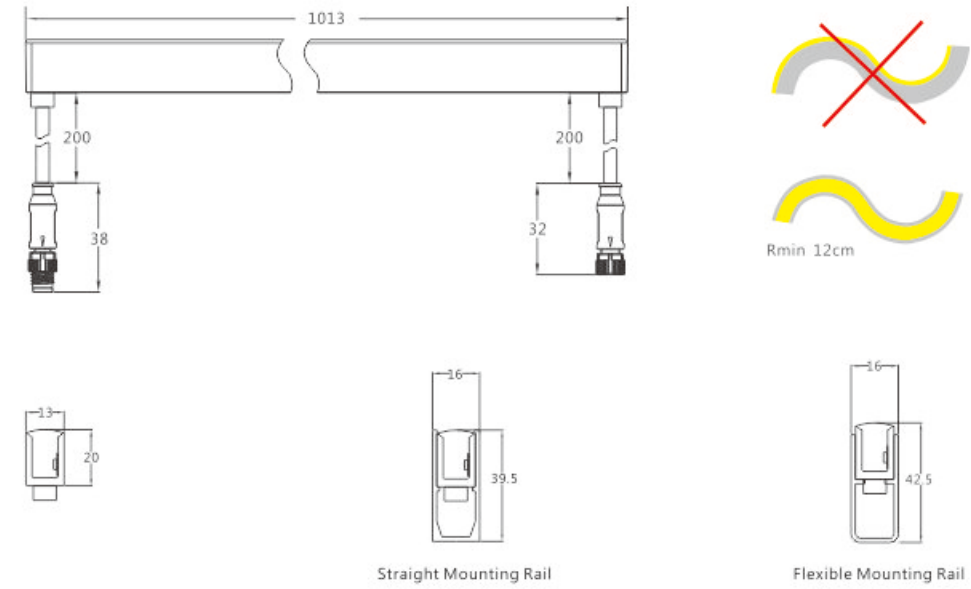
High Temperature

Smoke and Toxicity Test

Side View, 13mm Width, IP67/68



Dimension:



Side View, 13mm Width, IP67/68



Ordering Information

Model	Power(W/M)	LED Type	Color	Luminous Flux(LM/M)	Voltage	Control
EN001A	5W	2835SMD	Single Color	339LM	DC 24V	On/Off
EN001B	8W	2835SMD	Single Color	400LM	DC 24V	On/Off
EN001C	12W	2835SMD	Single Color	668LM	DC 24V	On/Off
EN001D	14.4W	2835SMD	Single Color	775LM	DC 24V	On/Off
EN001E	14.4W	5050SMD	RGB	-	DC 24V	Normal Control
EN001F	7.2W	2835SMD	Single Color	432LM	DC 24V	DMX/SPI
EN001G	17.28W	3535SMD	RGB	-	DC 24V	DMX/SPI

【Single Color】 2700K/3200K/3700K/4300K/5000K/5500K/6800K  
Red/Green/ Blue/Yellow/Amber/Turquoise

\*The CCT are measured with an accuracy of ±100K

\*The power consumption with tolerance ± 1W

\*Luminous flux tolerance ± 10%

\*Detailed product datasheet contact ECO LITE Sales



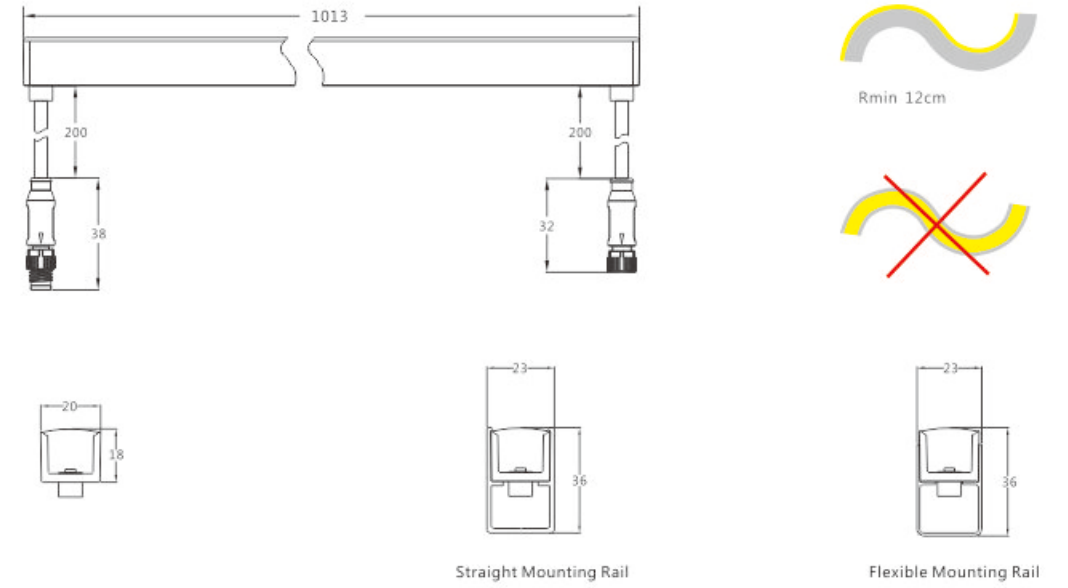
>EN002 SERIES



Top View, 20mm Width, IP67/IP68



Dimension:



Top View, 20mm Width, IP67/IP68



Ordering Information

Model	Power(W/M)	LED Type	Color	Luminous Flux(LM/M)	Voltage	Control
EN002A	5W	2835SMD	Single Color	336LM	DC 24V	On/Off
EN002B	8W	2835SMD	Single Color	516LM	DC 24V	On/Off
EN002C	12W	2835SMD	Single Color	750LM	DC 24V	On/Off
EN002D	14.4W	2835SMD	Single Color	878LM	DC 24V	On/Off
EN002E	7.2W	2835SMD	Single Color	480LM	DC 24V	DMX/SPI
EN002F	14.4W	5050SMD	RGB	-	DC 24V	Normal Control
EN002G	17.28W	3535SMD	RGB	-	DC 24V	DMX/SPI
EN002H	19.2W	3535SMD+2835SMD	RGBW	-	DC 24V	DMX/SPI

【Single Color】 2700K/3200K/3700K/4300K/4800k/6500K/7700K  
Red/Green/ Blue/Yellow/Amber/Turquoise

\*The CCT are measured with an accuracy of ±100K  
\*The power consumption with tolerance ± 1W  
\*Luminous flux tolerance ± 10%  
\*Detailed product datasheet contact ECO LITE Sales

>EN003 SERIES



IP67

UL94 V1

UV

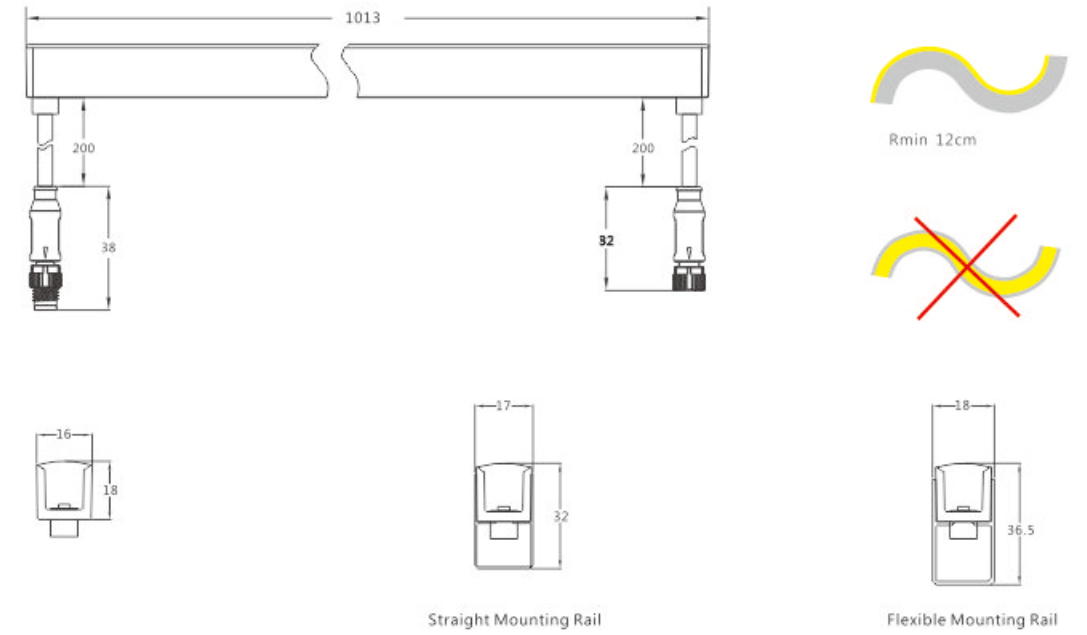
High Temperature

Smoke and Toxicity Test

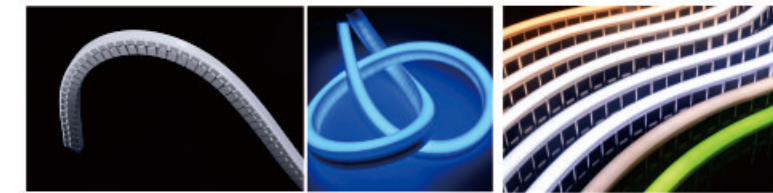
Top View, 16mm Width, IP67/IP68



Dimension:



Top View, 16mm Width, IP67/IP68



Ordering Information

Model	Power(W/M)	LED Type	Color	Luminous Flux(LM/M)	Voltage	Control
EN003A	5W	2835SMD	Single Color	336LM	DC 24V	On/Off
EN003B	8W	2835SMD	Single Color	450LM	DC 24V	On/Off
EN003C	12W	2835SMD	Single Color	750LM	DC 24V	On/Off
EN003D	14.4W	2835SMD	Single Color	908LM	DC 24V	On/Off
EN003E	7.2W	2835SMD	Single Color	420LM	DC 24V	DMX/SPI
EN003F	14.4W	5050SMD	RGB	-	DC 24V	Normal Control

【Singles color】 2700K/3200K/3700K/4300K/4800k/6500K/7700K  
Red./Green/ Blue/Yellow/Amber/Turquoise

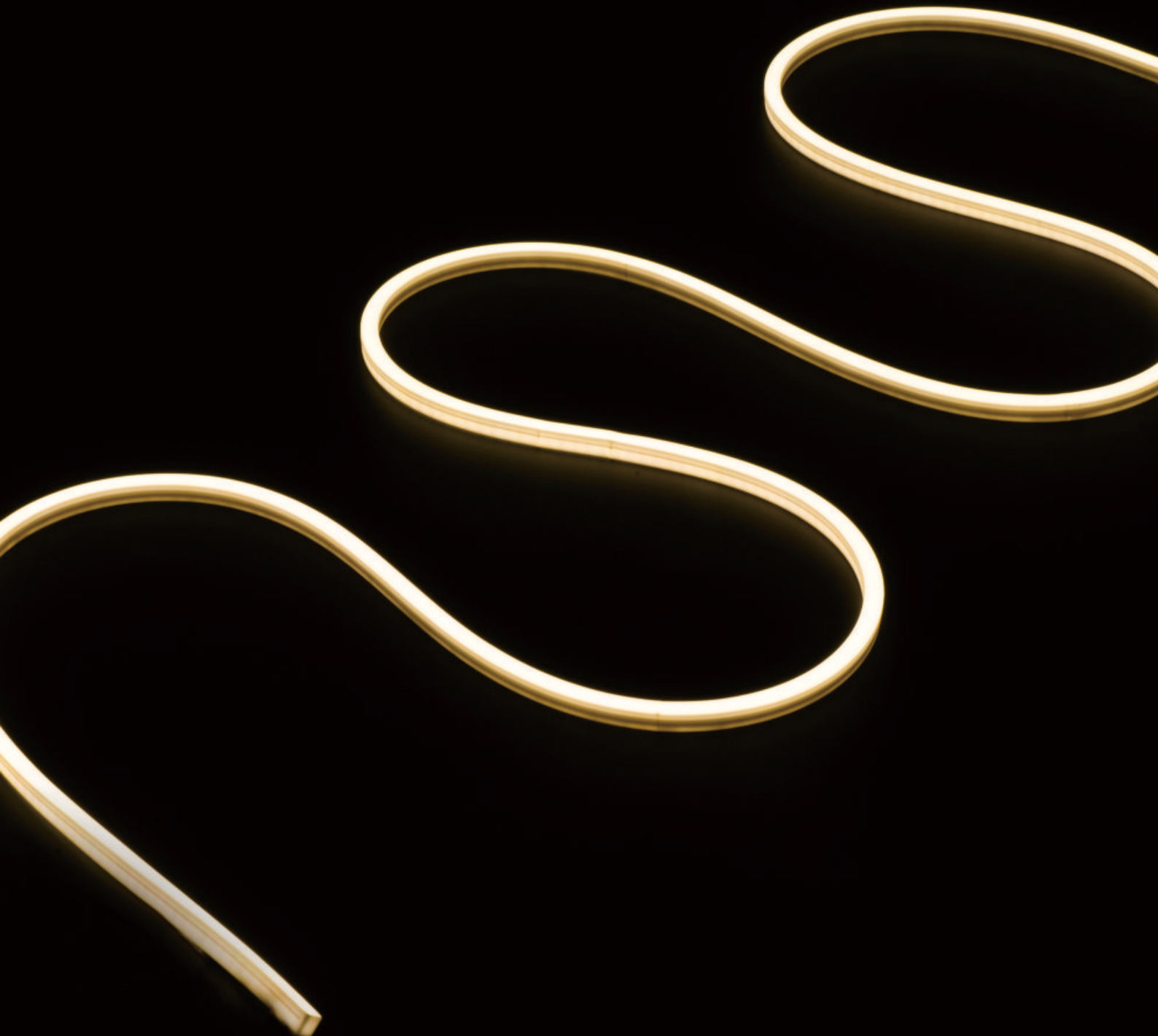
\*The CCT are measured with an accuracy of ±100K  
\*The power consumption with tolerance ± 1W  
\*Luminous flux tolerance ± 10%  
\*Detailed product datasheet contact ECO LITE Sales



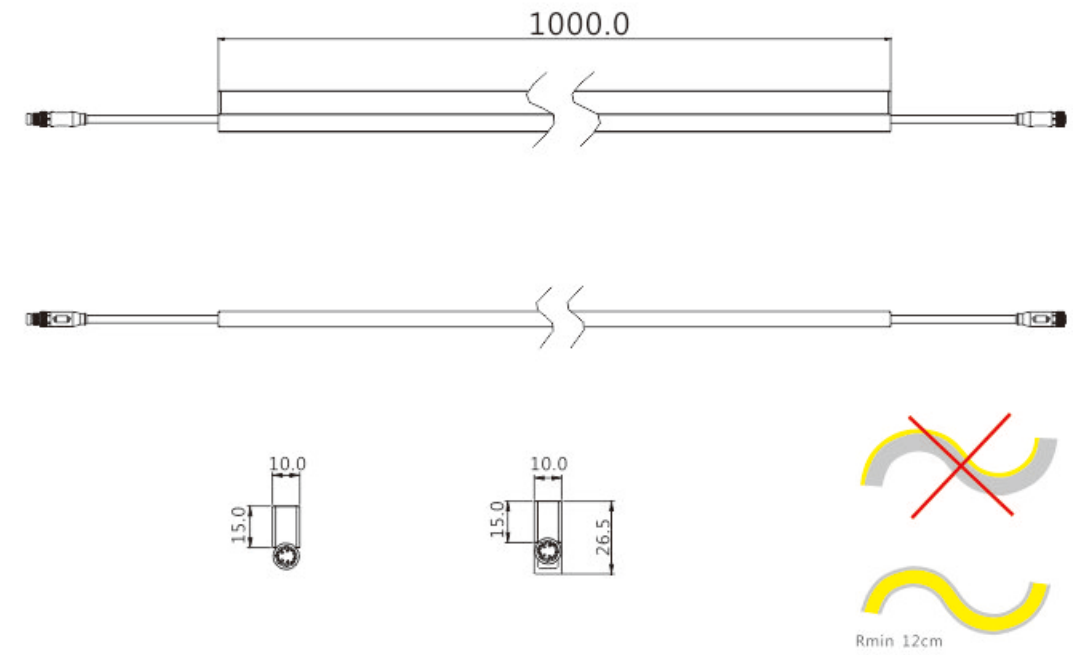
>EN005 SERIES



Side View, 10mm Width, IP67/IP68



Dimension:



Side View, 10mm Width, IP67/IP68



Ordering Information

Model	Power(W/M)	LED Type	Color	Luminous Flux(LM/M)	Voltage	Control
EN005A	5W	2835SMD	Single Color	339LM	DC 24V	On/Off
EN005B	8W	2835SMD	Single Color	400LM	DC 24V	On/Off
EN005C	12W	2835SMD	Single Color	720LM	DC 24V	On/Off

【Single color】 2300K/2700K/3200K/3700K/4000K/4300K/5000K/5500K/6000K  
Red./Green/ Blue/Yellow/Amber/Turquoise

\*The CCT are measured with an accuracy of ±100K  
\*The power consumption with tolerance ± 1W  
\*Luminous flux tolerance ± 10%  
\*Detailed product datasheet contact ECO LITE Sales

Accessories



**ENAC001-13/20/16**  
Flexible Aluminum Mounting Rail



**ENAC002-13/16/20/10**  
Straight Aluminum Mounting Rail



**ENAC003-13/16/20/10**  
Mounting Bracket, Aluminum



**ENAC005**  
Power Cable ,Rubber Cable



**ENAC006**  
End Cap, Zinc plated nickel



**LT-851-5A**  
LED Decoder for normal RGB control

\* Detailed product datasheet contact ECO LITE Sales

Accessories



**LT-DMX-1809**  
DMX-SPI Signal Decoder



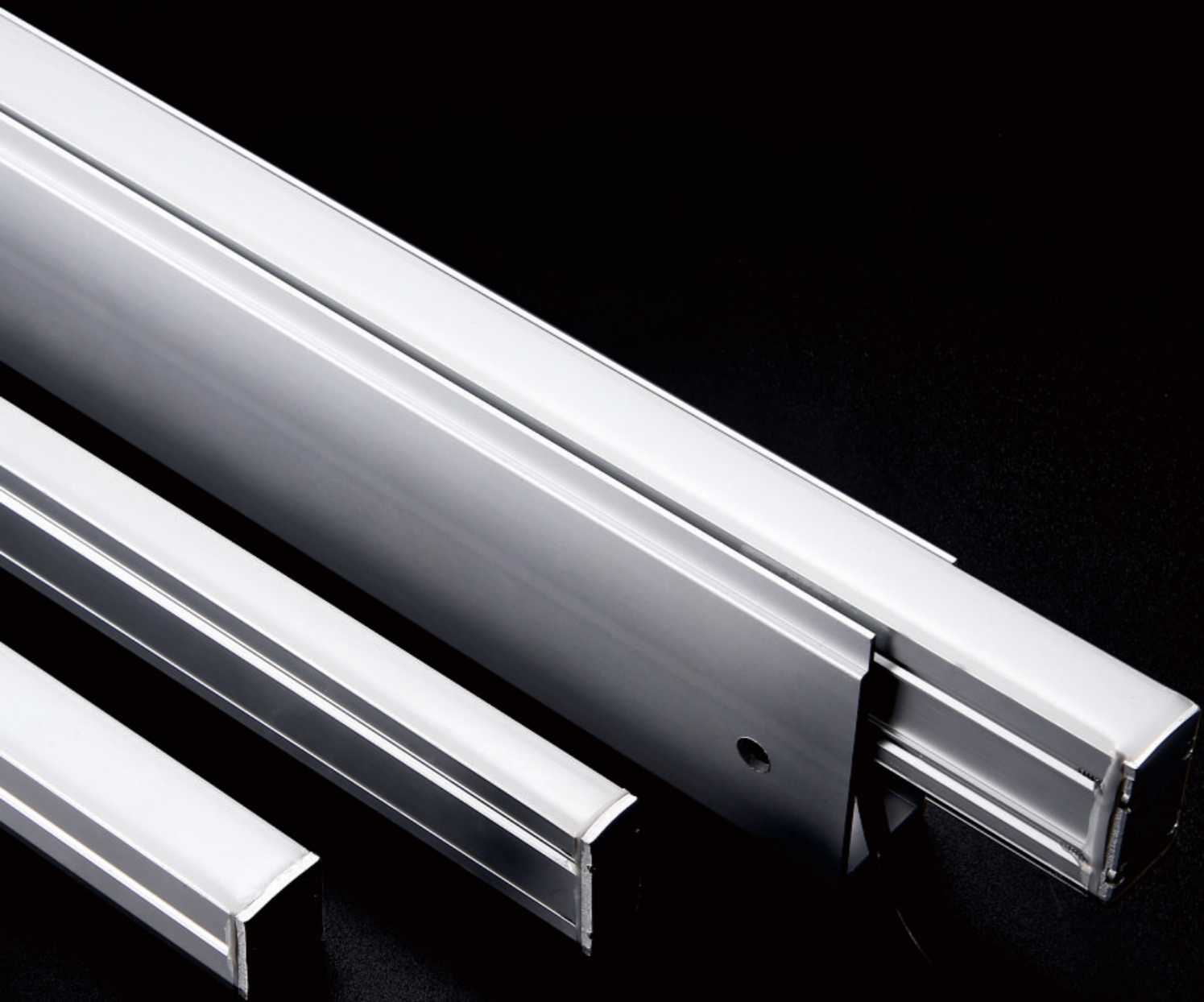
**LT-123**  
DMX Signal Amplifier



**T-500K**  
DMX512 Controller

\* Detailed product datasheet contact ECO LITE Sales





## LED EFS Linear Light



Elaborate design of LED Linear Profile makes it possible to design lighting fixtures in any size and shape on desire, which can mount to the surface or recessed mounted with our own bracket.

It is suitable to install in building decorative lighting and commercial lighting with IP67 waterproof.



# >EFS006 SERIES



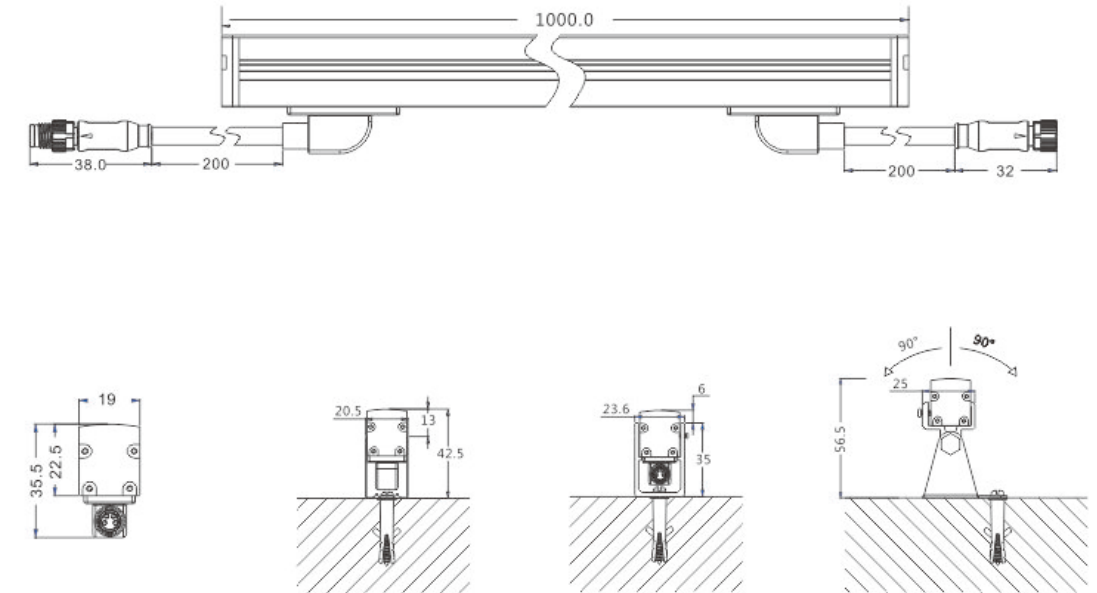
### Feature:

- 1.Smooth and uniform lighting;
- 2.Working temperature-20 ~ +65 degree;
- 3.Anti-UV, Anti-saltwater;
- 4.On off or DMX512 Control Version;

### Technical:

Materials: Aluminum 6063 and Special Engineering Resin;  
 Finishing: Anodizing or Powder coating;  
 Working Temperature:-20~ +65 degree;  
 Length: 1000MM/Customized length;  
 Installation: Surface mounted or Recessed Mounting;  
 IP67 Waterproof;

### Dimension:



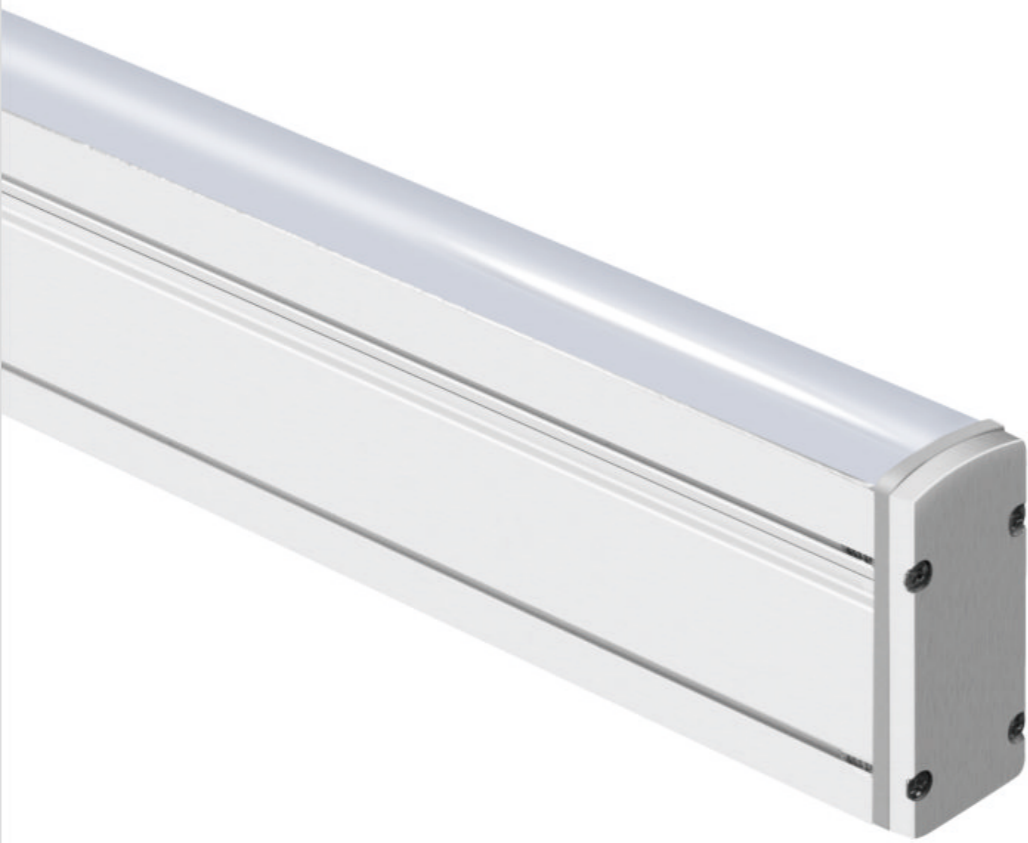
### Ordering Information

Model	Power (W/M)	LED Type	Color	Luminous Flux (LM/M)	Voltage	Control
EFS006A	8W	2835SMD	Single Color	240LM	DC 24V	On/Off
EFS006B	12W	2835SMD	Single Color	360LM	DC 24V	On/Off
EFS006C	14.4W	2835SMD	Single Color	450LM	DC 24V	On/Off
EFS006D	14.4W	5050SMD	RGB	-	DC 24V	Normal Control
EFS006E	7.2W	2835SMD	Single Color	280LM	DC 24V	DMX Control
EFS006F	17.28W	3535SMD	RGB	-	DC 24V	DMX Control

【Single Color】 2300K/2700K/3000K/3500K/4000K/4500K/5000K/5500K/6000K  
 Red/Green/ Blue/Yellow/Amber/Turquoise

\*The CCT are measured with an accuracy of ±100K  
 \*The power consumption with tolerance ±1W  
 \*Luminous flux tolerance ± 10%  
 \*Detailed product datasheet contact ECO LITE Sales

# >EFS007 SERIES



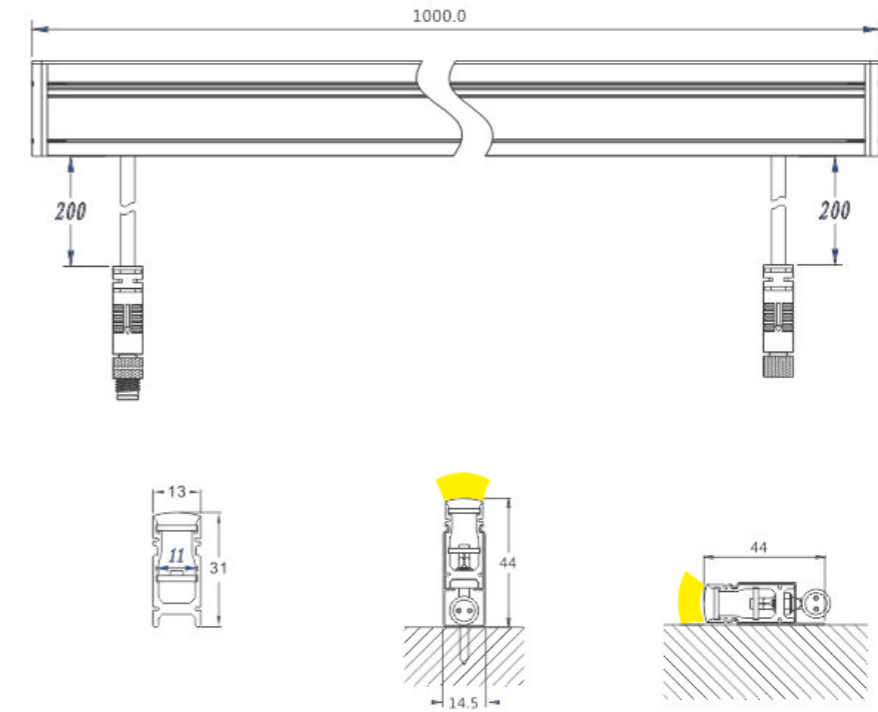
### Feature:

- 1.Smooth and uniform lighting;
- 2.Working temperature-20 ~ +65 degree;
- 3.Anti-UV, Anti-saltwater;
- 4.On off or DMX512 Control Version;

### Technical:

Materials: Aluminum 6063 and Special Engineering Resin;  
 Finishing: Anodizing or Powder coating;  
 Working Temperature:-20~ +65 degree;  
 Length: 1000MM/Customized length;  
 Installation: Surface mounted or Recessed Mounting;  
 IP67 Waterproof;

### Dimension:



### Ordering Information

Model	Power (W/M)	LED Type	Color	Luminous Flux (LM/M)	Voltage	Control
EFS007A	8W	2835SMD	Single Color	250LM	DC 24V	On/Off
EFS007B	12W	2835SMD	Single Color	350LM	DC 24V	On/Off
EFS007C	14.4W	2835SMD	Single Color	450LM	DC 24V	On/Off
EFS007D	14.4W	5050SMD	RGB	-	DC 24V	Normal Control
EFS007E	7.2W	2835SMD	Single Color	280LM	DC 24V	DMX Control
EFS007F	17.28W	3535SMD	RGB	-	DC 24V	DMX Control

【Single Color】 2300K/2700K/3000K/3500K/4000K/4500K/5000K/5500K/6000K  
 Red/Green/ Blue/Yellow/Amber/Turquoise

\*The CCT are measured with an accuracy of ±100K  
 \*The power consumption with tolerance ±1W  
 \*Luminous flux tolerance ± 10%  
 \*Detailed product datasheet contact ECO LITE Sales

# >EFS008 SERIES



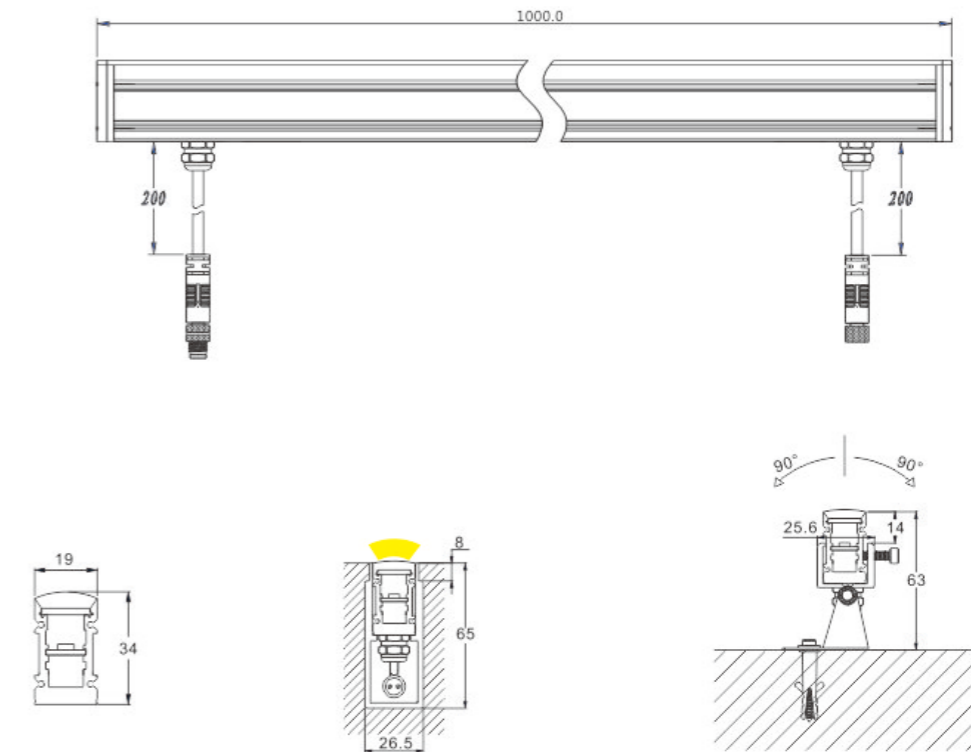
### Feature:

- 1.Smooth and uniform lighting;
- 2.Working temperature-20 ~ +65 degree;
- 3.Anti-UV, Anti-saltwater;
- 4.On off or DMX512 Control Version;

### Technical:

Materials: Aluminum 6063 and Special Engineering Resin;  
 Finishing: Anodizing or Powder coating;  
 Working Temperature:-20 ~ +65 degree;  
 Length: 1000MM/Customized length;  
 Installation: Surface mounted or Recessed Mounting;  
 IP67 Waterproof;

### Dimension:



### Ordering Information

Model	Power (W/M)	LED Type	Color	Luminous Flux (LM/M)	Voltage	Control
EFS008A	8W	2835SMD	Single Color	280LM	DC 24V	On/Off
EFS008B	12W	2835SMD	Single Color	420LM	DC 24V	On/Off
EFS008C	14.4W	2835SMD	Single Color	525LM	DC 24V	On/Off
EFS008D	14.4W	5050SMD	RGB	-	DC 24V	Normal Control
EFS008E	7.2W	2835SMD	Single Color	280LM	DC 24V	DMX Control
EFS008F	17.28W	3535SMD	RGB	-	DC 24V	DMX Control

【Single Color】 2300K/2700K/3200K/3700K/4000K/4300K/5000K/5500K/6000K  
 Red,/Green/ Blue/Yellow/Amber/Turquoise

\*The CCT are measured with an accuracy of ±100K  
 \*The power consumption with tolerance ±1W  
 \*Luminous flux tolerance ± 10%  
 \*Detailed product datasheet contact ECO LITE Sales



# >EFS009A SERIES



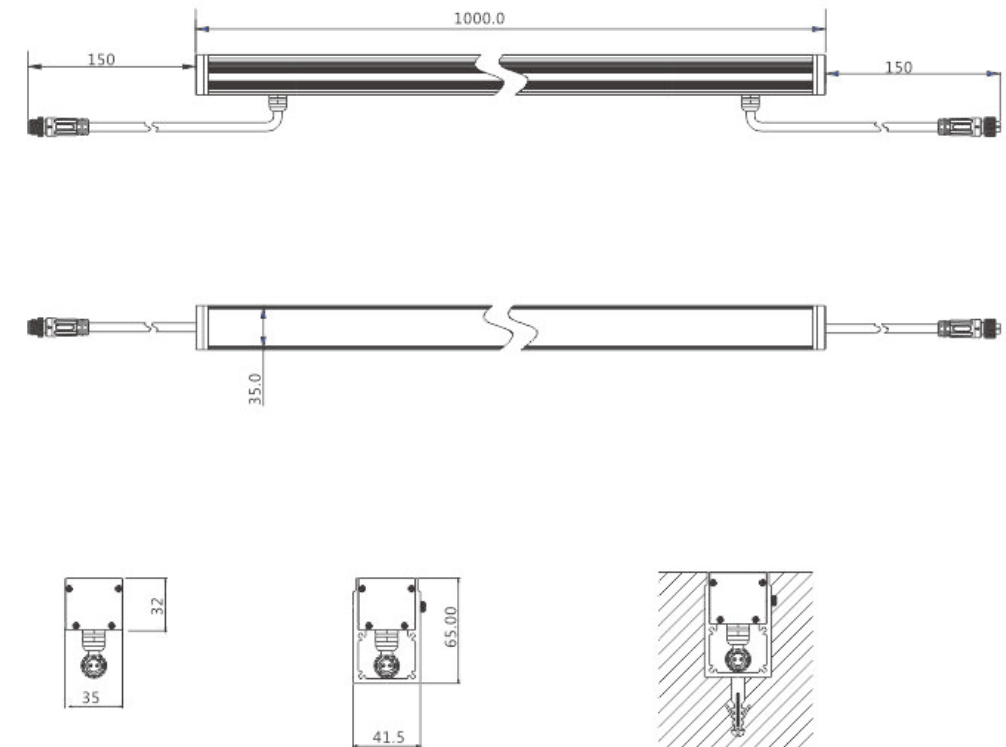
### Feature:

- 1.Smooth and uniform lighting;
- 2.Working temperature-20~ +60 degree;
- 3.Anti-UV,Anti-saltwater;
- 4.On off or DMX512 Control Version;

### Technical:

Materials: Aluminum 6063 and PC Diffuser;  
 Finishing: Anodizing or Powder coating;  
 Working Temperature:-20-+60 degree;  
 Length: 1000MM/Customized length;  
 Installation: Surface mounted or Recessed Mounting;  
 IP67 Waterproof;

### Dimension:



### Ordering Information

Model	Power (W/M)	LED Type	Color	Luminous Flux (LM/M)	Voltage	Control
EFS009A-01	8W	2835SMD	Single Color	480LM	DC 24V	On/Off
EFS009A-02	14.4W	2835SMD	Single Color	860LM	DC 24V	On/Off
EFS009A-03	28.8W	2835SMD	Single Color	1800LM	DC 24V	On/Off
EFS009A-04	7.2W	2835SMD	Single Color	420LM	DC 24V	DMX Control
EFS009A-05	17.28W	3535SMD	RGB	-	DC 24V	DMX Control
EFS009A-06	15W	5050SMD	RGB	-	DC 24V	Normal Control

【Single Color】 2300K/2700K/3000K/3500K/4000K/4500K/5000K/5500K/6000K  
 Red/Green/ Blue/Yellow/Amber/Turquoise

\*The CCT are measured with an accuracy of ±100K  
 \*The power consumption with tolerance ±1W  
 \*Luminous flux tolerance ± 10%  
 \*Detailed product datasheet contact ECO LITE Sales

# >EFS009B SERIES



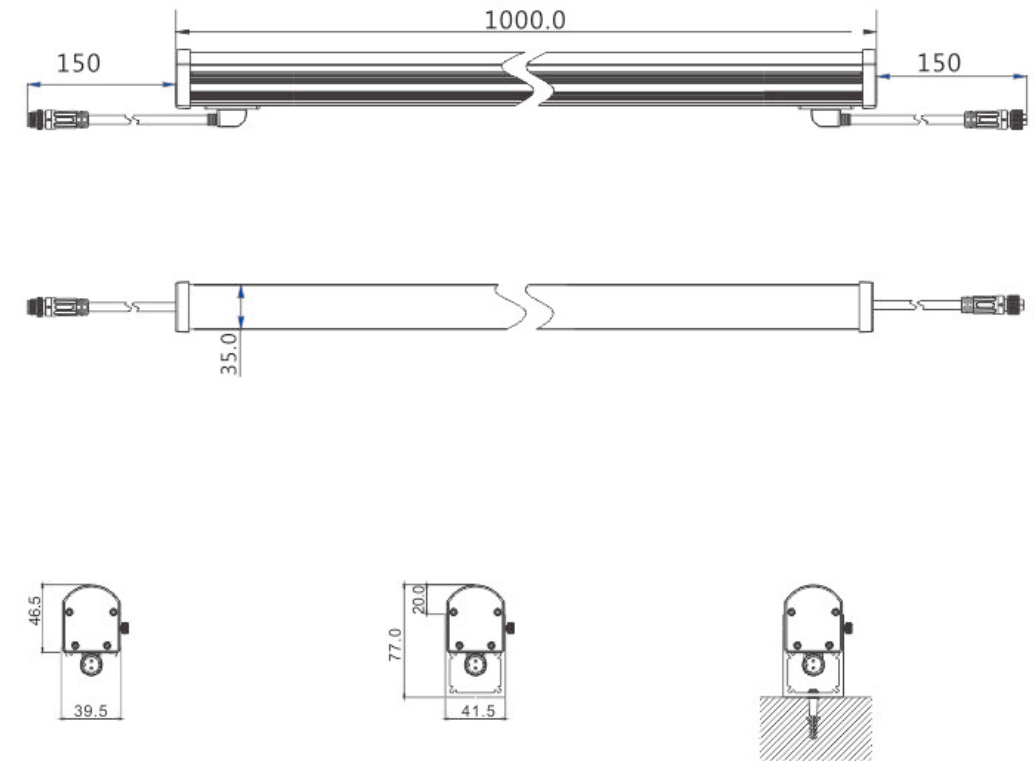
### Feature:

- 1.Smooth and uniform lighting;
- 2.Working temperature-20~ +60 degree;
- 3.Anti-UV, Anti-saltwater;
- 4.On off or DMX512 Control Version;

### Technical:

Materials: Aluminum 6063 and PC Diffuser;  
 Finishing: Anodizing or Powder coating;  
 Working Temperature:-20~ +60 degree;  
 Length: 1000MM/Customized length;  
 Installation: Surface mounted or Recessed Mounting;  
 IP67 Waterproof;

### Dimension:



### Ordering Information

Model	Power (W/M)	LED Type	Color	Luminous Flux (LM/M)	Voltage	Control
EFS009B-01	8W	2835SMD	Single Color	480LM	DC 24V	On/Off
EFS009B-02	14.4W	2835SMD	Single Color	860LM	DC 24V	On/Off
EFS009B-03	28.8W	2835SMD	Single Color	1800LM	DC 24V	On/Off
EFS009B-04	7.2W	2835SMD	Single Color	420LM	DC 24V	DMX Control
EFS009B-05	17.28W	3535SMD	RGB	-	DC 24V	DMX Control
EFS009B-06	15W	5050SMD	RGB	-	DC 24V	Normal Control

【Single Color】 2300K/2700K/3000K/3500K/4000K/4500K/5000K/5500K/6000K  
 Red/Green/ Blue/Yellow/Amber/Turquoise

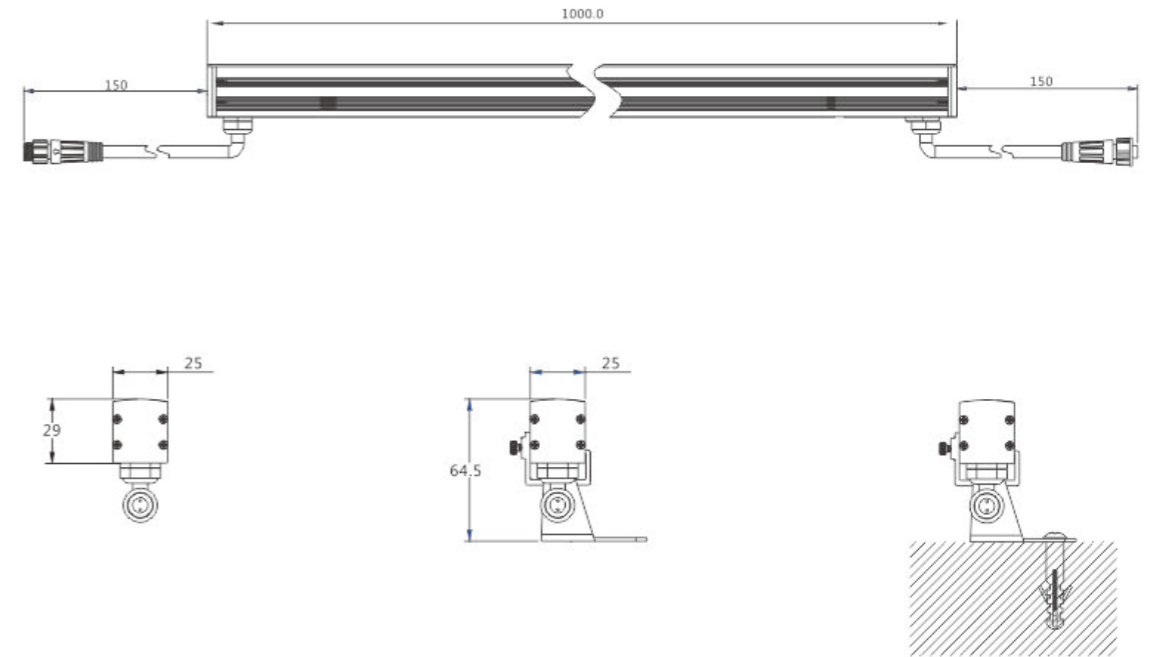
\*The CCT are measured with an accuracy of ±100K  
 \*The power consumption with tolerance ±1W  
 \*Luminous flux tolerance ± 10%  
 \*Detailed product datasheet contact ECO LITE Sales



# >EFS010 SERIES



## Dimension:



### Feature:

- 1.Smooth and uniform lighting;
- 2.Working temperature-20~+65 degree;
- 3.Anti-UV, Anti-saltwater;
- 4.On off or DMX512 Control Version;

### Technical:

Materials: Aluminum 6063 and Special Engineering Resin;  
 Finishing: Anodizing or Powder coating;  
 Working Temperature:-20~+65 degree;  
 Length: 1000MM/Customized length;  
 Installation: Surface mounted or Recessed Mounting;  
 IP67 Waterproof;

## Ordering Information

Model	Power (W/M)	LED Type	Color	Luminous Flux (LM/M)	Voltage	Control
EFS010A	8W	2835SMD	Single Color	320LM	DC 24V	On/Off
EFS010B	12W	2835SMD	Single Color	480LM	DC 24V	On/Off
EFS010C	14.4W	2835SMD	Single Color	576LM	DC 24V	On/Off
EFS010D	14.4W	5050SMD	RGB	-	DC 24V	Normal Control
EFS010E	7.2W	2835SMD	Single Color	280LM	DC 24V	DMX Control
EFS010F	17.28W	3535SMD	RGB	-	DC 24V	DMX Control

【Single Color】 2300K/2700K/3000K/3500K/4000K/4500K/5000K/5500K/6000K  
 Red/Green/ Blue/Yellow/Amber/Turquoise

\*The CCT are measured with an accuracy of ±100K  
 \*The power consumption with tolerance ±1W  
 \*Luminous flux tolerance ± 10%  
 \*Detailed product datasheet contact ECO LITE Sales

# >EFS011A SERIES



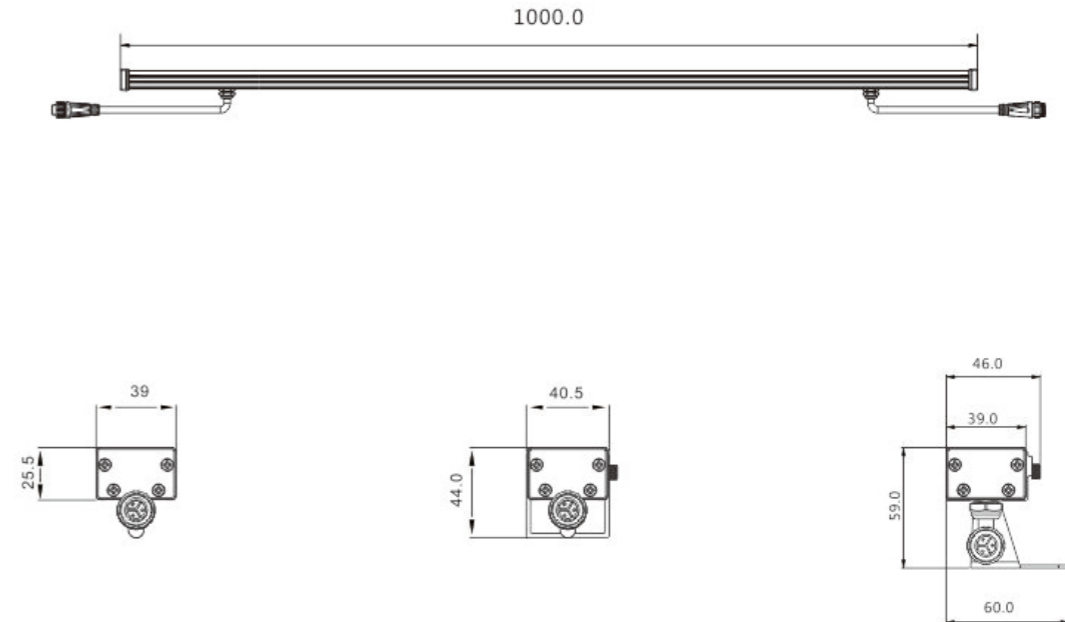
### Feature:

- 1.Smooth and uniform lighting;
- 2.Working temperature-20~+60 degree;
- 3.Anti-UV, Anti-saltwater;
- 4.On off or DMX512 Control Version;

### Technical:

Materials: Aluminum 6063 and PC Diffuser;  
 Finishing: Anodizing or Powder coating;  
 Working Temperature:-20~+60 degree;  
 Length: 1000MM/Customized length;  
 Installation: Surface mounted or Recessed Mounting;  
 IP67 Waterproof;

### Dimension:



### Ordering Information

Model	Power (W/M)	LED Type	Color	Luminous Flux (LM/M)	Voltage	Control
EFS011A-01	8W	2835SMD	Single Color	480LM	DC 24V	On/Off
EFS011A-02	14.4W	2835SMD	Single Color	860LM	DC 24V	On/Off
EFS011A-03	28.8W	2835SMD	Single Color	1800LM	DC 24V	On/Off
EFS011A-04	7.2W	2835SMD	Single Color	420LM	DC 24V	DMX Control
EFS011A-05	17.28W	3535SMD	RGB	-	DC 24V	DMX Control
EFS011A-06	15W	5050SMD	RGB	-	DC 24V	Normal Control

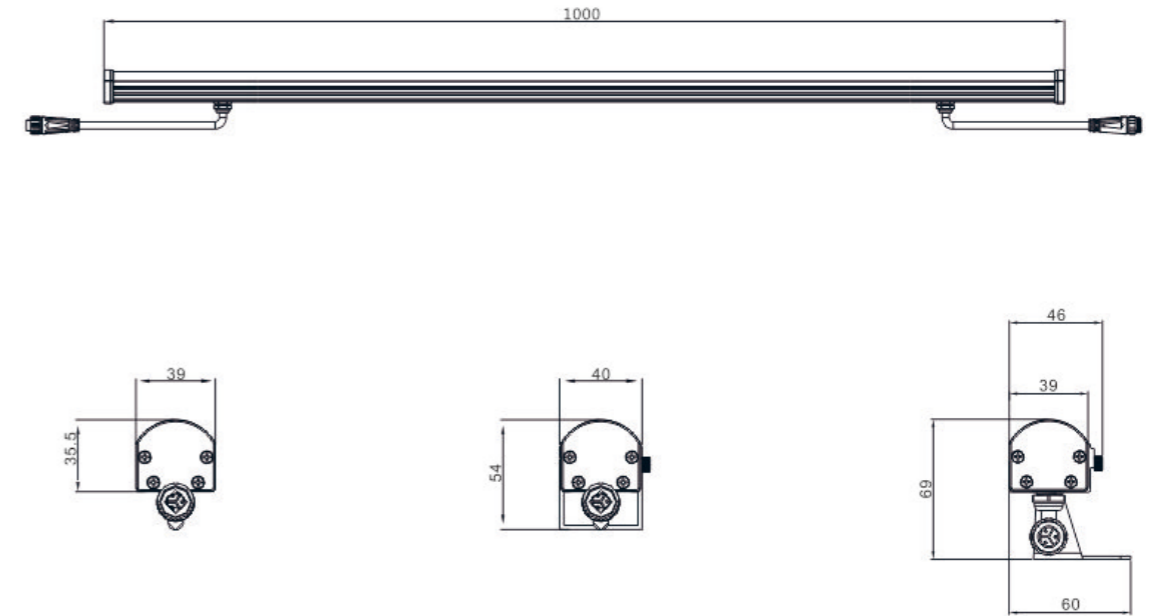
【Single Color】 2300K/2700K/3000K/3500K/4000K/4500K/5000K/5500K/6000K  
 Red/Green/ Blue/Yellow/Amber/Turquoise

\*The CCT are measured with an accuracy of ±100K  
 \*The power consumption with tolerance ±1W  
 \*Luminous flux tolerance ± 10%  
 \*Detailed product datasheet contact ECO LITE Sales

# >EFS011B SERIES



## Dimension:



## Ordering Information

Model	Power (W/M)	LED Type	Color	Luminous Flux (LM/M)	Voltage	Control
EFS011B-01	8W	2835SMD	Single Color	480LM	DC 24V	On/Off
EFS011B-02	14.4W	2835SMD	Single Color	860LM	DC 24V	On/Off
EFS011B-03	28.8W	2835SMD	Single Color	1800LM	DC 24V	On/Off
EFS011B-04	7.2W	2835SMD	Single Color	420LM	DC 24V	DMX Control
EFS011B-05	17.28W	3535SMD	RGB	-	DC 24V	DMX Control
EFS011B-06	15W	5050SMD	RGB	-	DC 24V	Normal Control

【Single Color】 2300K/2700K/3000K/3500K/4000K/4500K/5000K/5500K/6000K  
Red/Green/ Blue/Yellow/Amber/Turquoise

\*The CCT are measured with an accuracy of ±100K  
\*The power consumption with tolerance ±1W  
\*Luminous flux tolerance ± 10%  
\*Detailed product datasheet contact ECO LITE Sales

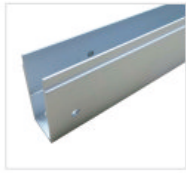
### Feature:

- 1.Smooth and uniform lighting;
- 2.Working temperature-20~ +60 degree;
- 3.Anti-UV, Anti-saltwater;
- 4.On off or DMX512 Control Version;

### Technical:

Materials: Aluminum 6063 and PC Diffuser;  
Finishing: Anodizing or Powder coating;  
Working Temperature:-20~ +60 degree;  
Length: 1000MM/Customized length;  
Installation: Surface mounted or Recessed Mounting;  
IP67 Waterproof;

### Accessories



**EFSAC001**  
Aluminum Mounting Rail



**EFSAC002**  
Mounting Bracket, Aluminium



**EFSAC003**  
Power Cable, Rubber Cable



**EFSAC004**  
End Cap, Zinc plated nickel



**EFSAC005**  
Power Cable, Rubber Cable

### Accessories



**LT-851-5A**  
LED Decoder for normal RGB control



**LT-DMX-1809**  
DMX-SPI Signal Decoder



**LT-123**  
DMX Signal Amplifier



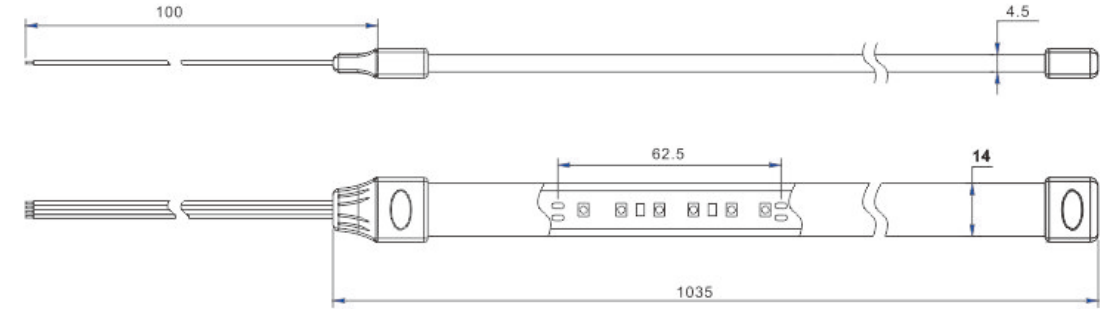
**T-500K**  
DMX512 Controller



# >IP67 FLEXIBLE STRIP SERIES



## Dimension:



## Ordering Information

Model	LED	Power(W/M)	Lumen(LM/M)	CRI	Input	Cut Segment	Series Connection Length
<b>60LEDs/M</b>							
EF2835XX60A24V-WF3	2835SMD	4.8W	408LM	>80/90	24V DC	100mm	15M
EF2835XX60B24V-WF3	2835SMD	7.68W	720LM	>80/90	24V DC	100mm	10M
EF2835XX60C24V-WF3	2835SMD	9.6W	1050LM	>80/90	24V DC	100mm	8M
<b>96LEDs/M</b>							
EF2835XX96A24V-WF3	2835SMD	7.68W	750LM	>80/90	24V DC	62.5mm	10M
EF2835XX96B24V-WF3	2835SMD	11.52W	1125LM	>80/90	24V DC	62.5mm	7M
EF2835XX96C24V-WF3	2835SMD	15.5W	1513LM	>80/90	24V DC	62.5mm	5M
EF2835XX96D24V-WF3	2835SMD	19.2W	1875LM	>80/90	24V DC	62.5mm	4M
<b>120LEDs/M</b>							
EF2835XX120A24V-WF3	2835SMD	9.6W	1050LM	>80/90	24V DC	50mm	8M
EF2835XX120B24V-WF3	2835SMD	14.4W	1406LM	>80/90	24V DC	50mm	5M
EF2835XX120C24V-WF3	2835SMD	19.2W	1875LM	>80/90	24V DC	50mm	4M
EF2835XX120D24V-WF3	2835SMD	24W	2343LM	>80/90	24V DC	50mm	3M

【Color】 2200K/ 2700K/ 3000K/ 3500K/ 4000K/5000K/ 5700K/ 6500K/ Red/Green/Blue

## Accessories



**EL049**  
Aluminum Mounting Rail

## Feature:

1. Working Temperature -20~+65 degree;
2. An-UV, An-saltwater;
3. Flammability test UL94 V1 standard;
4. Smoke and Toxicity test approval standard;
5. IP67 waterproof.

\*The CCT are measured with an accuracy of ±100K  
 \*The power consumption with tolerance ± 1W  
 \*Luminous flux tolerance ± 10%  
 \*Detailed product datasheet contact ECO LITE Sales





## Mini Line Grazer Light



Mini Line Grazer is a linear lighting fixture in different length. It has RGB and White Color, and can be DMX Controlled with RDM Monitoring. This product is very suitable to use in ornamental lighting, such as building and lighting for furniture and home use with IP66 waterproof. It has higher safety factor with RDM monitoring, and easy to install.



# >EM001 SERIES



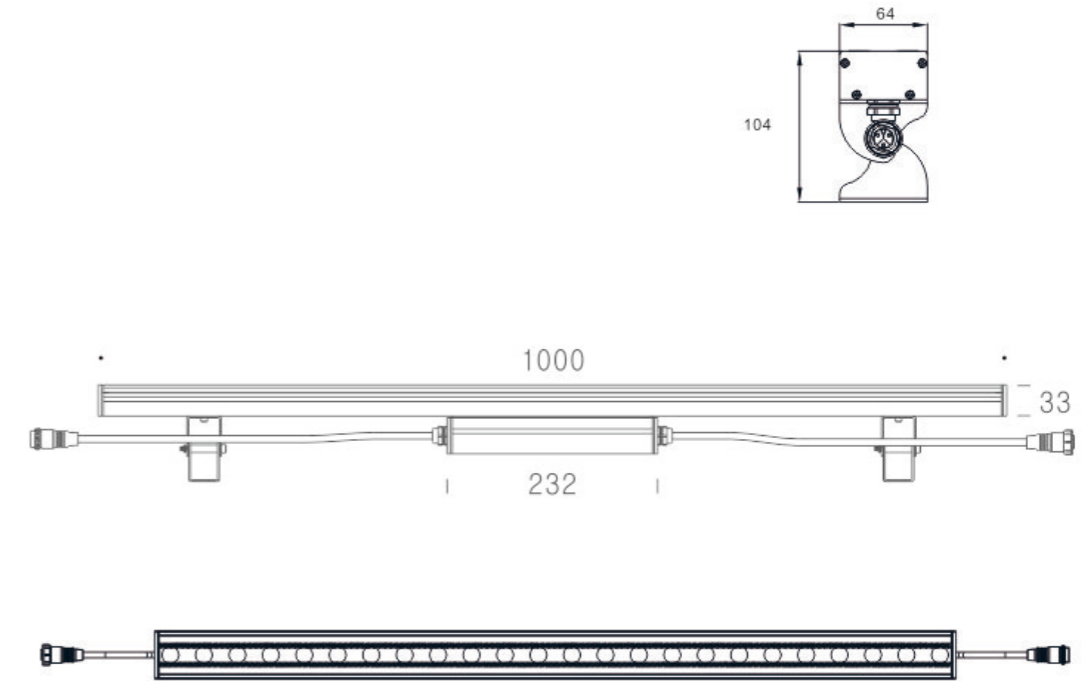
### Feature:

1. Different spec to meet different application;
2. Working temperature -20 ~+60 degree;
3. Anti-UV, Anti-saltwater;
4. On off or DMX512 Control version;
5. Available in customized specification.

### Technical:

Materials: Aluminum 6063 and Tempered Glass  
 Finishing: Anodizing or Powder coating  
 Input: 100V~240V AC  
 Beam Angle: With Symmetric and Asymmetric lens for different application  
 Working Temperature: -20~ +60 degree  
 Length: 1000MM/Customized length  
 Installation: Surface mounted  
 IP66 waterproof

### Dimension:



### Ordering Information

Model	Power (W/M)	LED	LED Type	Color	Lumen(LM/M)	Current	Beam Angle	Control
EM001A-01	25W	24PCS	CREE XP-G	A	2000LM	350mA	B	On/Off
EM001A-02	36W	24PCS	CREE XP-G	A	2880LM	500mA	B	On/Off
EM001A-03	50W	24PCS	CREE XP-G	A	4000LM	700mA	B	On/Off
EM001B-01	38W	36PCS	CREE XP-G	A	3040LM	350mA	B	On/Off
EM001B-02	54W	36PCS	CREE XP-G	A	4320LM	500mA	B	On/Off
EM001B-03	65W	36PCS	CREE XP-G	A	5200LM	600mA	B	On/Off
EM001C-01	20W	60PCS	5050SMD	C	1600LM	N/A	D	Normal Control

[A] 2300K/2700K/3000K/4000K/4500K/6500K/Red/Green/Blue

[B] Symmetrical 10/25/40/60 /110°, 30X65/30X85 °

Asymmetrical 15x16°, tilt 2° / 20x30°, tilt 7° / 22x39°, tilt 12°

[C] R+G+B

[D] 30/45/60°, 30\*60°

\*The CCT are measured with an accuracy of ±100K

\*The power consumption with tolerance ± 2W

\*Luminous flux tolerance ± 10%

\*Detailed product datasheet contact ECO LITE Sales



## >EM002 SERIES



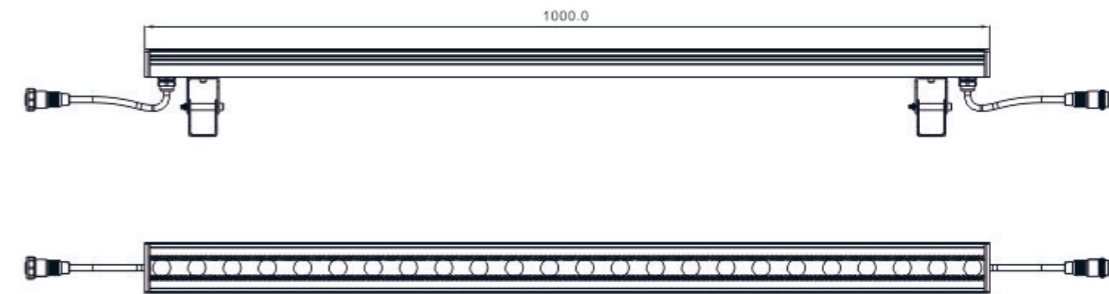
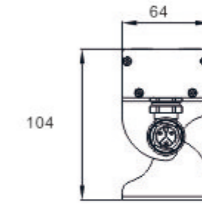
### Feature:

1. Different spec to meet different application;
2. Working temperature -20 ~+60 degree;
3. Anti-UV, Anti-saltwater;
4. On off or DMX512 Control version;
5. Available in customized specification.

### Technical:

Materials: Aluminum 6063 and Tempered Glass  
 Finishing: Anodizing or Powder coating  
 Input: 24V DC  
 Beam Angle: With Symmetric and Asymmetric lens  
 for different application  
 Working Temperature: -20~+60 degree  
 Length: 1000MM/Customized length  
 Installation: Surface mounted  
 IP66 Waterproof

### Dimension:



### Ordering Information

Model	Power (W/M)	LED	LED Type	Color	Lumen(LM/M)	Beam Angle	Control
EM002A-01	25.2W	24PCS	CREE XP-G	A	2016LM	B	PWM
EM002B-01	14.4W	60PCS	5050RGB	A	1152LM	D	DMX Control
EM002C-01	54W	24PCS	CREE,5050SMD	C	1580LM	D	DMX Control

[A] 2300K/2700K/3000K/4000K/4500K/6500K/Red/Green/Blue

[B] Symmetrical 10/25/40/60 /110°, 30X65/30X85 °

Asymmetrical 15x16°,tilt 2°/ 20x30°,tilt 7°/ 22x39°,tilt 12°

[C] RGBW, 4 in 1

[D] 30/45/60° ,30\*60°

\*The CCT are measured with an accuracy of ±100K

\*The power consumption with tolerance ± 2W

\*Luminous flux tolerance ± 10%

\*Detailed product datasheet contact ECO LITE Sales

## >EM003 SERIES



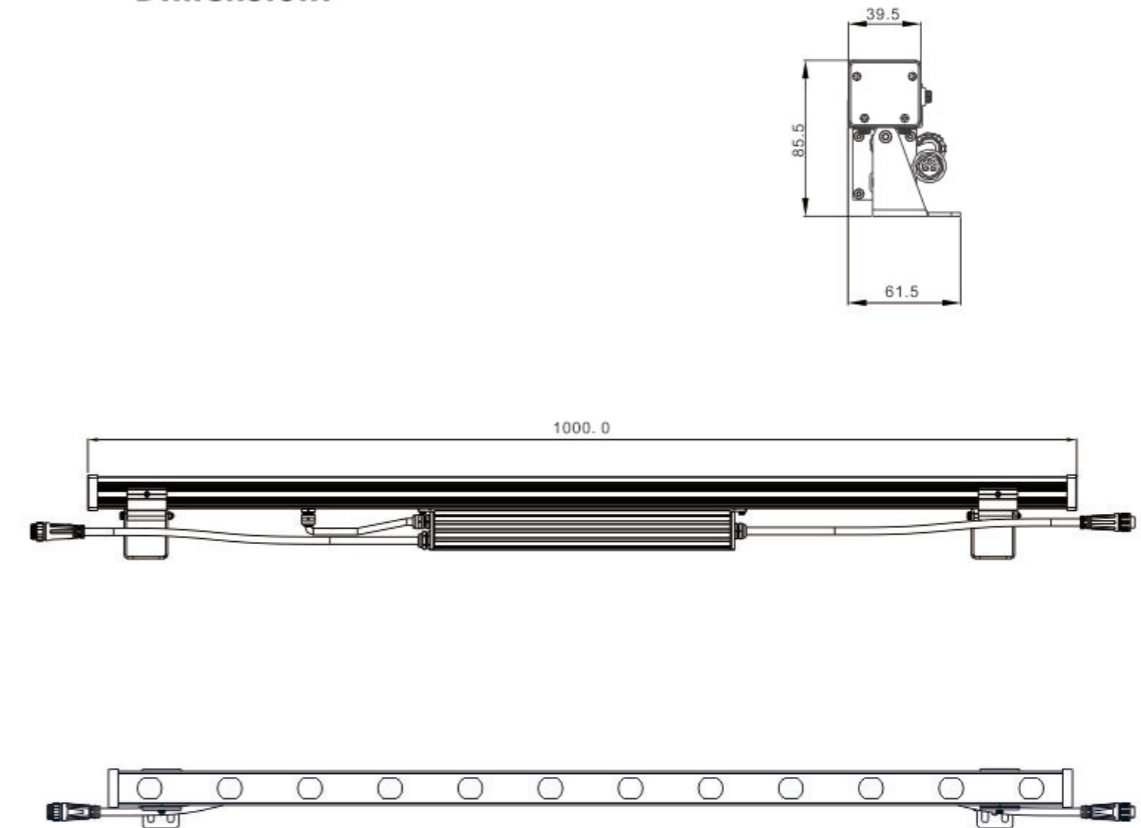
### Feature:

1. Different spec to meet different application;
2. Working temperature -20 ~+60 degree;
3. Anti-UV, Anti-saltwater;
4. On off or DMX512 Control version;
5. Available in customized specification.

### Technical:

Materials: Aluminum 6063 and Tempered Glass  
 Finishing: Anodizing or Powder coating  
 Input: 100V~240V AC  
 Beam Angle: With Symmetric and Asymmetric lens for different application  
 Working Temperature: -20~ +60 degree  
 Length: 1000MM/Customized length  
 Installation: Surface mounted or Recessed Mounting  
 IP66 Waterproof

### Dimension:



### Ordering Information

Model	Power (W/M)	LED	LED Type	Color	Lumen(LM/M)	Current	Beam Angle	Control
EM003A-01	12W	12PCS	CREE XP-G	A	960LM	350mA	B	On/Off
EM003A-02	18W	12PCS	CREE XP-G	A	1440LM	500mA	B	On/Off
EM003A-03	25W	12PCS	CREE XP-G	A	2000LM	700mA	B	On/Off
EM003B-01	18.9W	18PCS	CREE XP-G	A	1512LM	350mA	B	On/Off
EM003B-02	27W	18PCS	CREE XP-G	A	2160LM	500mA	B	On/Off
EM003B-03	32W	18PCS	CREE XP-G	A	2560LM	600mA	B	On/Off
EM003C-01	25W	24PCS	CREE XP-G	A	2000LM	350mA	B	On/Off
EM003C-02	36W	24PCS	CREE XP-G	A	2880LM	500mA	B	On/Off

[A] 2300K/2700K/3000K/4000K/4500K/6500K/Red/Green/Blue

[B] Symmetric 30/40/50/10x35/25x45°  
 Asymmetric 15x17°, tilt 2°

\*The CCT are measured with an accuracy of ±100K  
 \*The power consumption with tolerance ± 2W  
 \*Luminous flux tolerance ± 10%  
 \*Detailed product datasheet contact ECO LITE Sales



# >EM005 SERIES



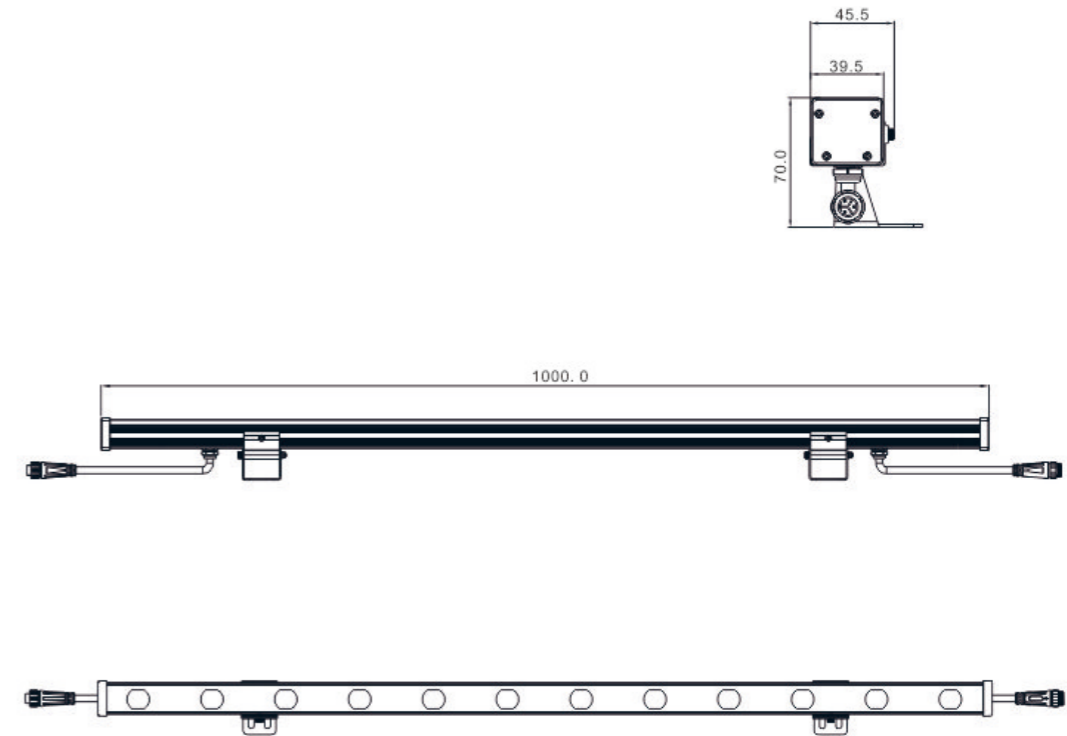
### Feature:

1. Different spec to meet different application;
2. Working temperature -20 ~+60 degree;
3. Anti-UV, Anti-saltwater;
4. On off or DMX512 Control version;
5. Available in customized specification.

### Technical:

Materials: Aluminum 6063 and Tempered Glass  
 Finishing: Anodizing or Powder coating  
 Input: 24V DC  
 Beam Angle: With Symmetric and Asymmetric lens  
 for different application  
 Working Temperature: -20~ +60 degree  
 Length: 1000MM/Customized length  
 Installation: Surface mounted or Recessed Mounting  
 IP66 Waterproof

### Dimension:



### Ordering Information

Model	Power (W/M)	LED	LED Type	Color	Lumen(LM/M)	Beam Angle	Control
EM005A	16.8W	12PCS	CREE XP-G	A	1344LM	B	On/Off
EM005B	25.2W	18PCS	CREE XP-G	A	2016LM	B	On/Off
EM005C	33W	24PCS	CREE XP-G	A	2640LM	B	On/Off
EM005D	17.28W	60PCS	5050SMD	A	1382LM	B	On/Off
EM005E-01	17.28W	60PCS	5050SMD	C	-	E	Normal Control
EM005E-02	17.28W	60PCS	5050SMD	C	-	E	DMX Control
EM005F-01	23.04W	60PCS	5050SMD	D	-	E	Normal Control
EM005F-02	23.04W	60PCS	5050SMD	D	-	E	DMX Control

[A] 2300K/2700K/3000K/4000K/4500K/6500K/Red/Green/Blue

[B] Symmetric 30/40/50/10x35/25x45°  
 Asymmetric 15x17°,tilt 2°

[C] RGB, 3 in 1

[D] RGBW, 4 in 1

[E] 30/45° ,30\*65°

\*The CCT are measured with an accuracy of ±100K

\*The power consumption with tolerance ± 2W

\*Luminous flux tolerance ± 10%

\*Detailed product datasheet contact ECO LITE Sales

## >EM006 SERIES



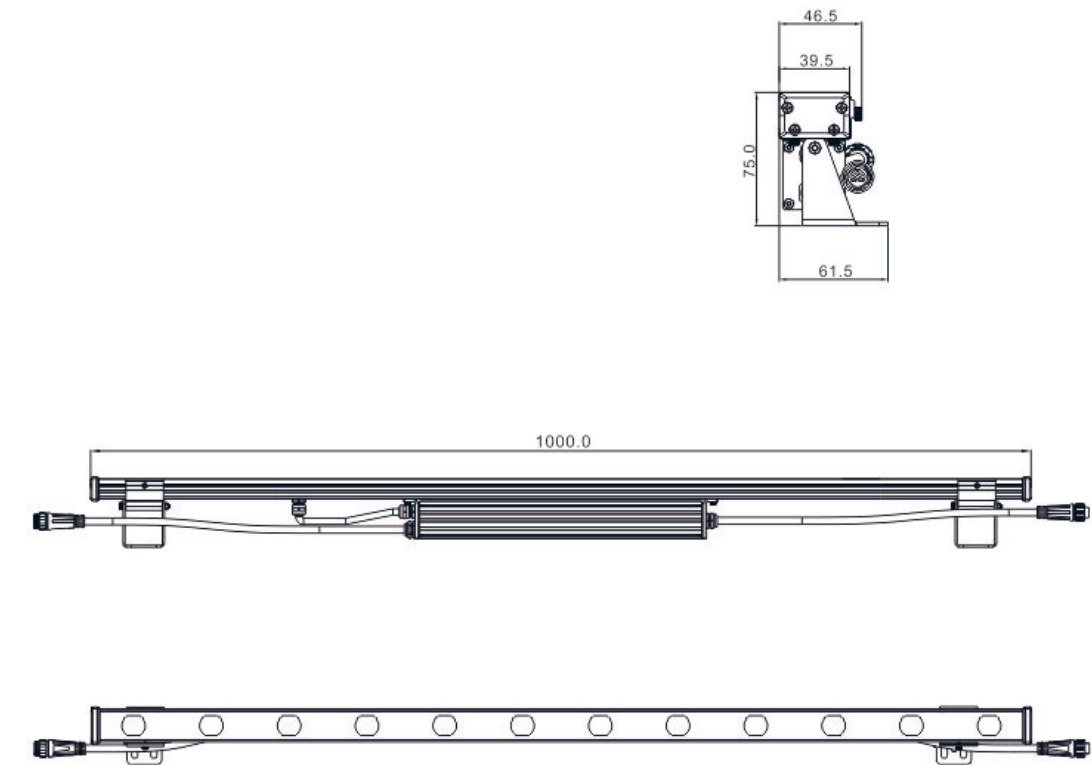
### Feature:

1. Different spec to meet different application;
2. Working temperature -20 ~+60 degree;
3. Anti-UV, Anti-saltwater;
4. On off or DMX512 Control version;
5. Available in customized specification.

### Technical:

Materials: Aluminum 6063 and Tempered Glass  
 Finishing: Anodizing or Powder coating  
 Input: 100V~240V AC  
 Beam Angle: With Symmetric and Asymmetric lens for different application  
 Working Temperature: -20~ +60 degree  
 Length: 1000MM/Customized length  
 Installation: Surface mounted or Recessed Mounting  
 IP66 Waterproof

### Dimension:



### Ordering Information

Model	Power (W/M)	LED	LED Type	Color	Lumen(LM/M)	Current	Beam Angle	Control
EM006A-01	12W	12PCS	CREE XP-G	A	960LM	350mA	B	On/Off
EM006A-02	18W	12PCS	CREE XP-G	A	1440LM	500mA	B	On/Off
EM006A-03	25W	12PCS	CREE XP-G	A	2000LM	700mA	B	On/Off
EM006B-01	18.9W	18PCS	CREE XP-G	A	1512LM	350mA	B	On/Off
EM006B-02	27W	18PCS	CREE XP-G	A	2160LM	500mA	B	On/Off
EM006B-03	32W	18PCS	CREE XP-G	A	2560LM	600mA	B	On/Off
EM006C-01	25W	24PCS	CREE XP-G	A	2000LM	350mA	B	On/Off
EM006C-02	36W	24PCS	CREE XP-G	A	2880LM	500mA	B	On/Off

[A] 2700K/3000K/3500K/4000K/5000K/5700K/6500K/Red/Green/Blue

[B] Symmetrical 10/25/40/60 /110°, 30X65/30X85 °

Asymmetrical 15x16°,tilt 2°/ 20x30°,tilt 7°/ 22x39°,tilt 12°

\*The CCT are measured with an accuracy of ±100K  
 \*The power consumption with tolerance ± 2W  
 \*Luminous flux tolerance ± 10%  
 \*Detailed product datasheet contact ECO LITE Sales



## >EM008 SERIES



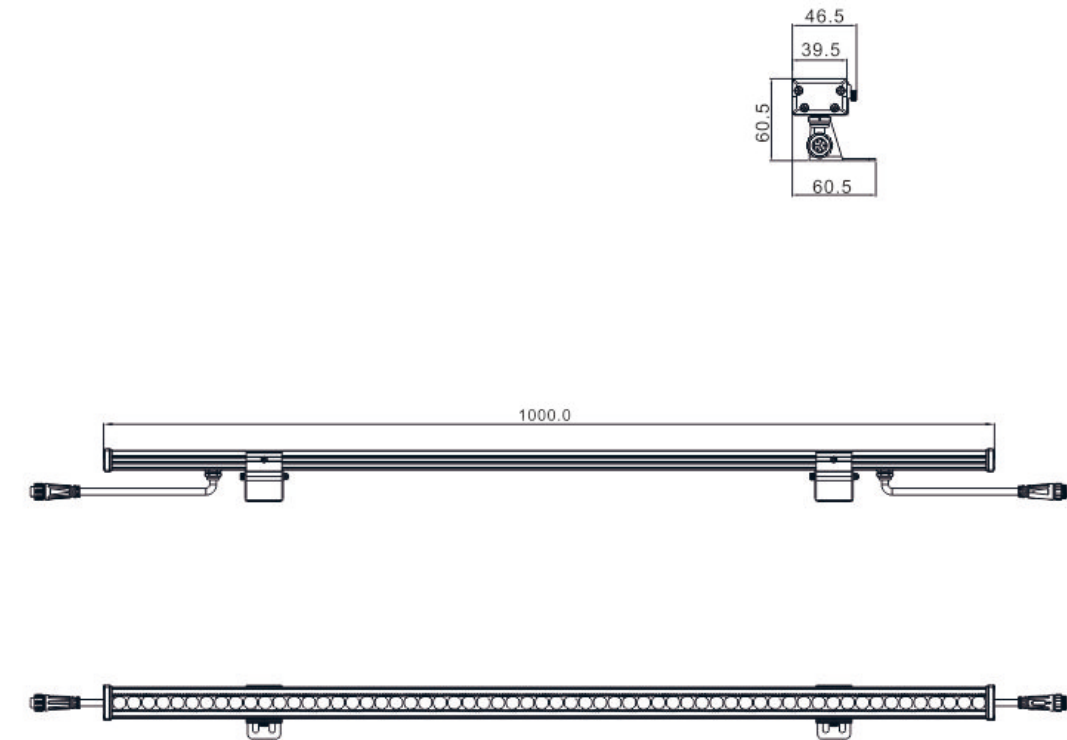
### Feature:

1. Different spec to meet different application;
2. Working temperature -20 ~+60 degree;
3. Anti-UV, Anti-saltwater;
4. On off or DMX512 Control version;
5. Available in customized specification.

### Technical:

Materials: Aluminum 6063 and Tempered Glass  
 Finishing: Anodizing or Powder coating  
 Input: 24V DC  
 Beam Angle: With Symmetric and Asymmetric lens  
 for different application  
 Working Temperature: -20~ +60 degree  
 Length: 1000MM/Customized length  
 Installation: Surface mounted or Recessed Mounting  
 IP66 Waterproof

### Dimension:



### Ordering Information

Model	Power (W/M)	LED	LED Type	Color	Lumen(LM/M)	Beam Angle	Control
EM008A	16.8W	12PCS	CREE XP-G	A	1344LM	B	On/Off
EM008B	25.2W	18PCS	CREE XP-G	A	2016LM	B	On/Off
EM008C	17.28W	60PCS	5050SMD	A	1382LM	B	On/Off
EM008D-01	17.28W	60PCS	5050SMD	C	-	E	Normal Control
EM008D-02	17.28W	60PCS	5050SMD	C	-	E	DMX Control
EM008E-01	23.04W	60PCS	5050SMD	D	-	E	Normal Control
EM008E-02	23.04W	60PCS	5050SMD	D	-	E	DMX Control

[A] 2700K/3000K/3500K/4000K/5000K/5700K/6500K/Red/Green/Blue

[B] Symmetrical 10/25/40/60 /110°, 30X65/30X85 °

Asymmetrical 15x16°,tilt 2°/ 20x30°,tilt 7°/ 22x39°,tilt 12°

[C] RGB, 3 in 1

[D] RGBW, 4 in 1

[E] 30/45/60° ,30\*60°

\*The CCT are measured with an accuracy of ±100K

\*The power consumption with tolerance ± 2W

\*Luminous flux tolerance ± 10%

\*Detailed product datasheet contact ECO LITE Sales

# >EM009 SERIES



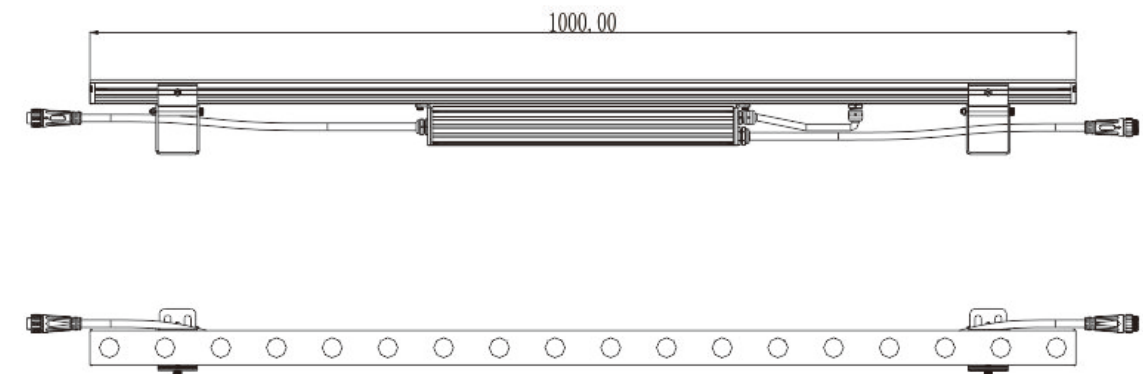
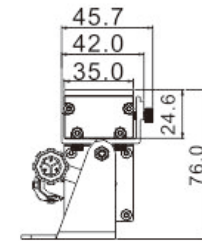
### Feature:

1. Different spec to meet different application;
2. Working temperature -20 ~+60 degree;
3. Anti-UV, Anti-saltwater;
4. On off or DMX512 Control version;
5. Available in customized specification.

### Technical:

Materials: Aluminum 6063 and Tempered Glass  
 Finishing: Anodizing or Powder coating  
 Input: 100V~240V AC  
 Beam Angle: With Symmetric and Asymmetric lens for different application  
 Working Temperature: -20~ +60 degree  
 Length: 1000MM/Customized length  
 Installation: Surface mounted or Recessed Mounting  
 IP66 Waterproof

### Dimension:



### Ordering Information

Model	Power (W/M)	LED	LED Type	Color	Lumen(LM/M)	Current	Beam Angle	Control
EM009A-01	12W	12PCS	CREE XP-G	A	960LM	350mA	B	On/Off
EM009A-02	18W	12PCS	CREE XP-G	A	1440LM	500mA	B	On/Off
EM009A-03	25W	12PCS	CREE XP-G	A	2000LM	700mA	B	On/Off
EM009B-01	18.9W	18PCS	CREE XP-G	A	1512LM	350mA	B	On/Off
EM009B-02	27W	18PCS	CREE XP-G	A	2160LM	500mA	B	On/Off
EM009B-03	32W	18PCS	CREE XP-G	A	2560LM	600mA	B	On/Off
EM009C-01	25W	24PCS	CREE XP-G	A	2000LM	350mA	B	On/Off
EM009C-02	36W	24PCS	CREE XP-G	A	2880LM	500mA	B	On/Off

[A] 2700K/3000K/3500K/4000K/5000K/5700K/6500K/Red/Green/Blue

[B] Symmetrical 10/25/40/60 /110°, 30X65/30X85 °

Asymmetrical 15x16°,tilt 2°/20x30°,tilt 7°/22x39°,tilt 12°

\*The CCT are measured with an accuracy of ±100K

\*The power consumption with tolerance ± 2W

\*Luminous flux tolerance ± 10%

\*Detailed product datasheet contact ECO LITE Sales



## >EM010 SERIES



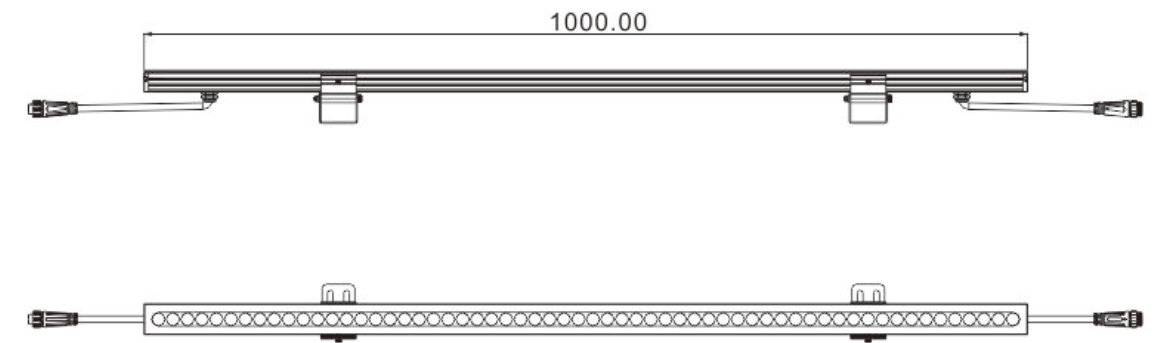
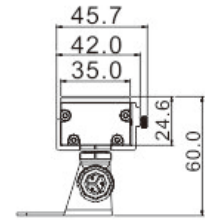
### Feature:

1. Different spec to meet different application;
2. Working temperature -20 ~+60 degree;
3. Anti-UV, Anti-saltwater;
4. On off or DMX512 Control version;
5. Available in customized specification.

### Technical:

Materials: Aluminum 6063 and Tempered Glass  
 Finishing: Anodizing or Powder coating  
 Input: 24V DC  
 Beam Angle: With Symmetric and Asymmetric lens  
 for different application  
 Working Temperature: -20~ +60 degree  
 Length: 1000MM/Customized length  
 Installation: Surface mounted or Recessed Mounting  
 IP66 Waterproof

### Dimension:



### Ordering Information

Model	Power (W/M)	LED	LED Type	Color	Lumen(LM/M)	Beam Angle	Control
EM010A	16.8W	12PCS	CREE XP-G	A	1344LM	B	On/Off
EM010B	25.2W	18PCS	CREE XP-G	A	2016LM	B	On/Off
EM010C	17.28W	60PCS	5050SMD	A	1382LM	B	On/Off
EM010D-01	17.28W	60PCS	5050SMD	C	-	E	Normal Control
EM010D-02	17.28W	60PCS	5050SMD	C	-	E	DMX Control
EM010E-01	23.04W	60PCS	5050SMD	D	-	E	Normal Control
EM010E-02	23.04W	60PCS	5050SMD	D	-	E	DMX Control

[A] 2700K/3000K/3500K/4000K/5000K/5700K/6500K/Red/Green/Blue

[B] Symmetrical 10/25/40/60 /110°, 30X65/30X85 °

Asymmetrical 15x16°, tilt 2°/ 20x30°, tilt 7°/ 22x39°, tilt 12°

[C] RGB, 3 in 1

[D] RGBW, 4 in 1

[E] 30/45/60° ,30\*60°

\*The CCT are measured with an accuracy of ±100K

\*The power consumption with tolerance ± 2W

\*Luminous flux tolerance ± 10%

\*Detailed product datasheet contact ECO LITE Sales

## Accessories



**EMAC001 for EM003/005**  
Aluminum Mounting Rail



**EMAC002**  
Mounting Bracket, Aluminum



**EMAC003**  
Power Cable, Rubber Cable



**LT-851-5A**  
LED Decoder for normal RGB control

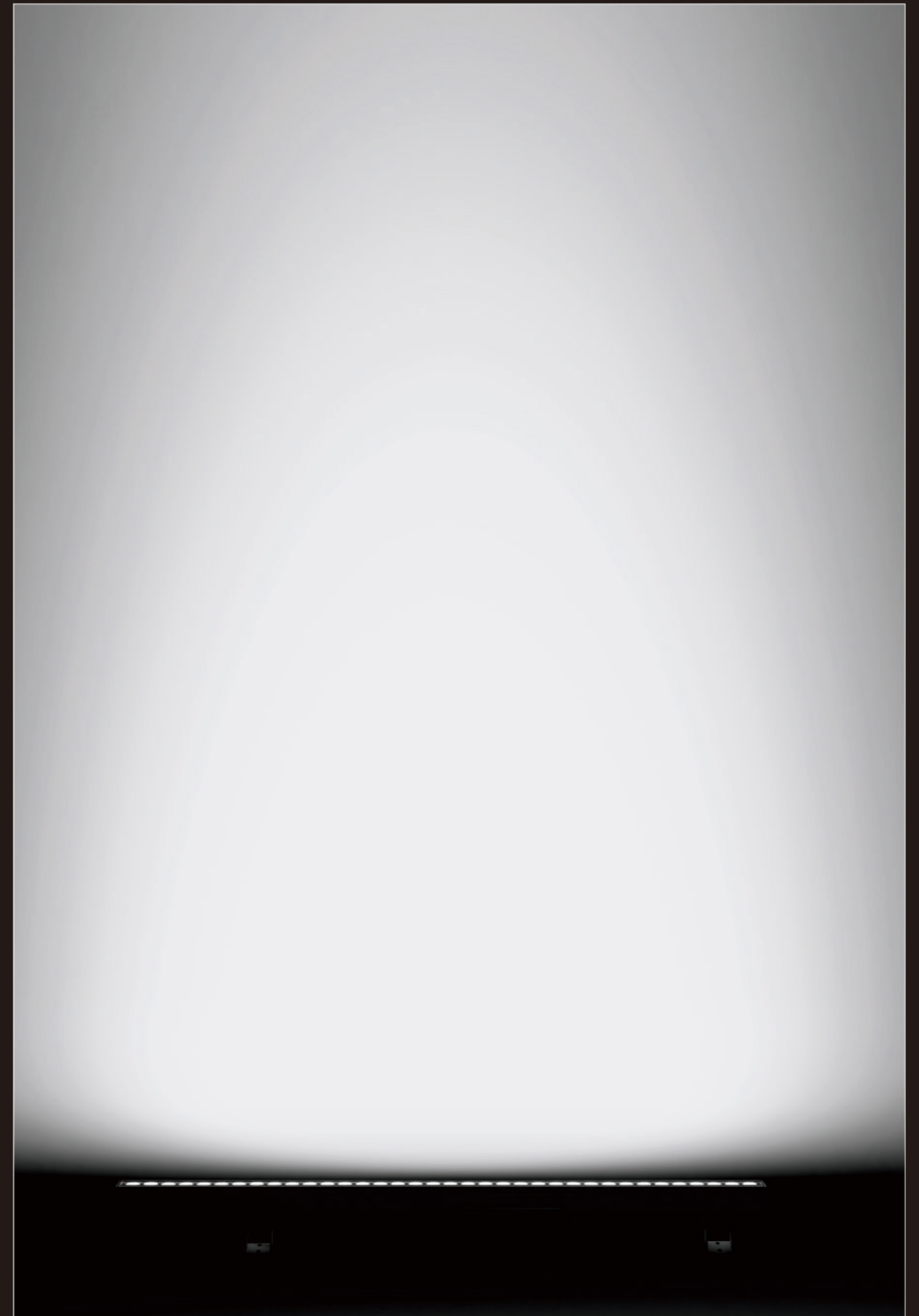


**LT-123**  
DMX Signal Amplifier



**T-500K**  
DMX512 Controller

\* Detailed product datasheet contact ECO LITE Sales







## FLOOD LIGHT



The LED Flood Light series is suitable for emphasis lighting indoors as well as outdoors. Combined with a round spike, it is also perfect for plant and garden lighting.

Dimmable or DMX512, DALI, 0-10V controllable by RGB Power supplies or controllers, this series item also include aluminum ground base.



# >LED FLOOD LIGHT SERIES



EF016A

EF015A

EF013A

EF012A

EF011A



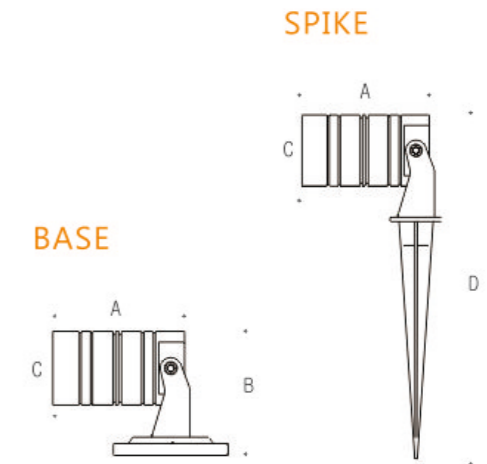
Brass



SS 316L

## Dimension:

Model	A	B	C	D
EF011A-B	81	74	Φ41	225
EF011A-S				
EF012A-B	86	81	Φ48	232
EF012A-S				
EF013A-B	107	94	Φ63	294
EF013A-S				
EF015A-B	122	110	Φ74	308
EF015A-S				
EF016A-B	168	128	Φ89	378
EF016A-S				



## Technical:

Materials: Aluminum 6063  
 Finishing: Powder Coating  
 LED: CREE COB  
 CRI: >80  
 IP Ranking: IP65  
 Option: SS 316L / Brass

## Ordering Information

Model	Power	LED Type	Color	Luminous Flux	Voltage	Beam Angle	Options
EF011A-01	3W	A	B	180LM	24V DC/100-240V AC	C	B/S
EF011A-02	5W	A	B	325LM	24V DC/100-240V AC	C	B/S
EF012A-01	7W	A	B	460LM	24V DC/100-240V AC	C	B/S
EF012A-02	10W	A	B	565LM	24V DC/100-240V AC	C	B/S
EF013A-01	12W	A	B	1130LM	24V DC/100-240V AC	C	B/S
EF013A-02	15W	A	B	1210LM	24V DC/100-240V AC	C	B/S
EF015A-01	18W	A	B	1430LM	24V DC/100-240V AC	C	B/S
EF015A-02	20W	A	B	1580LM	24V DC/100-240V AC	C	B/S
EF016A-01	25W	A	B	1900LM	24V DC/100-240V AC	C	B/S
EF016A-02	35W	A	B	2400LM	24V DC/100-240V AC	C	B/S

[A] CREE COB

[B] 2700K/3000K/3500K/4000K/4500K/6000K

[C] 15°/24°/36°

\*The CCT are measured with an accuracy of ±100K

\*The power consumption with tolerance ± 1W

\*Luminous flux tolerance ± 10%

\*Detailed product datasheet contact ECO LITE Sales



# >LED FLOOD LIGHT SERIES



EF016B

EF015B

EF013B

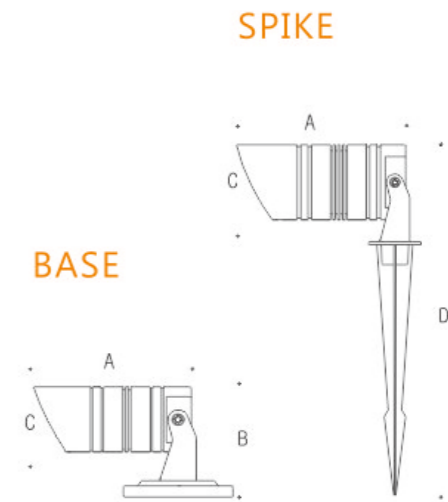
EF012B

EF011B



## Dimension:

Model	A	B	C	D
EF011B-B EF011B-S	96	74	Φ41	225
EF012B-B EF012B-S	107	81	Φ48	232
EF013B-B EF013B-S	142	94	Φ63	294
EF015B-B EF015B-S	162	110	Φ74	308
EF016B-B EF016B-S	218	128	Φ89	378



## Technical:

Materials: Aluminum 6063  
 Finishing: Powder Coating  
 LED: CREE COB  
 CRI:>80  
 IP Ranking:IP65  
 Option: SS 316L /Brass

## Ordering Information

Model	Power	LED Type	Color	Luminous Flux	Voltage	Beam Angle	Options
EF011B-01	3W	A	B	180LM	24V DC/100-240V AC	C	B/S
EF011B-02	5W	A	B	325LM	24V DC/100-240V AC	C	B/S
EF012B-01	7W	A	B	460LM	24V DC/100-240V AC	C	B/S
EF012B-02	10W	A	B	565LM	24V DC/100-240V AC	C	B/S
EF013B-01	12W	A	B	1130LM	24V DC/100-240V AC	C	B/S
EF013B-02	15W	A	B	1210LM	24V DC/100-240V AC	C	B/S
EF015B-01	18W	A	B	1430LM	24V DC/100-240V AC	C	B/S
EF015B-02	20W	A	B	1580LM	24V DC/100-240V AC	C	B/S
EF016B-01	25W	A	B	1900LM	24V DC/100-240V AC	C	B/S
EF016B-02	35W	A	B	2400LM	24V DC/100-240V AC	C	B/S

[A] CREE COB

[B] 2700K/3000K/3500K/4000K/4500K/6000K

[C]15°/24°/36°

\*The CCT are measured with an accuracy of ±100K

\*The power consumption with tolerance ± 1W

\*Luminous flux tolerance ± 10%

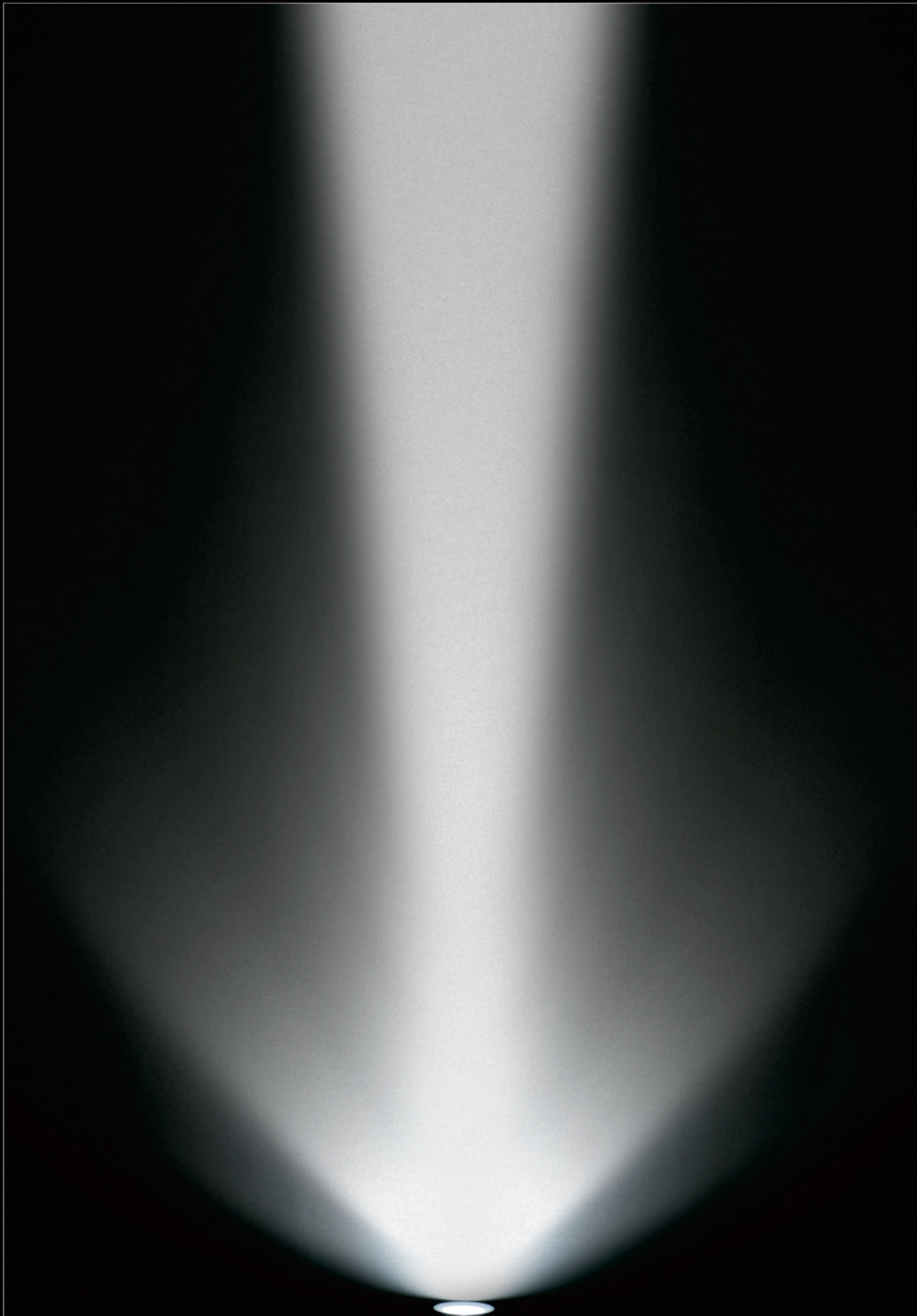
\*Detailed product datasheet contact ECO LITE Sales

## INGROUND LIGHT



The LED Inground Light series is designed for floor or ceiling integration and offers various design possibilities in architectural illumination. Combined with slewing holder it is perfect for emphasis lighting indoors as well as outdoors.

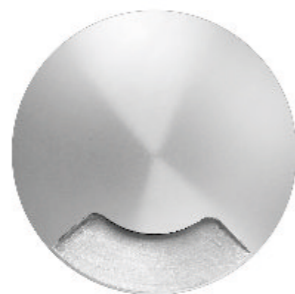
Dimmable or DMX512, DALI, 0~10V controllable by RGB Power supplies or controllers, this series item also include PVC plastic or aluminum mounting sleeve, and with solid stainless steel front cover.



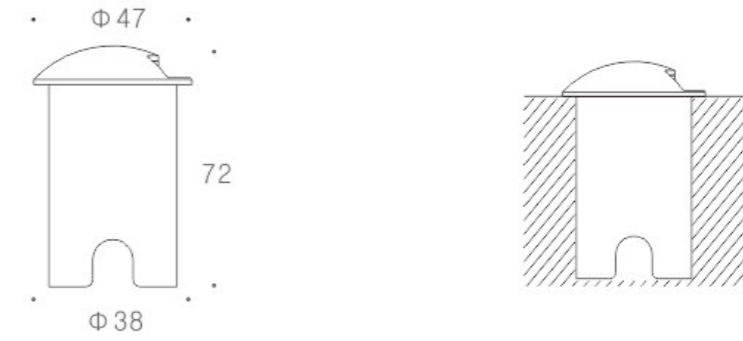


>E1001

CE IP67



**Dimension:**



**Electrical:**

Power: 3W  
Luminous Flux: 50LM  
Voltage: 24V DC

**Technical:**

Materials: SS 316L  
LED: CREE, XP-G  
CRI: >80  
IP Ranking: IP67

**Color Temperature:**

- 27-2700K
- 30-3000K
- 40-4000K
- 45-4500K
- 55-5500K
- 65-6500K

**Ordering Information**

Model	Power	Luminous Flux	CCT	Voltage
E1001	3W	50LM	27/30/40 45/55/65	24V DC

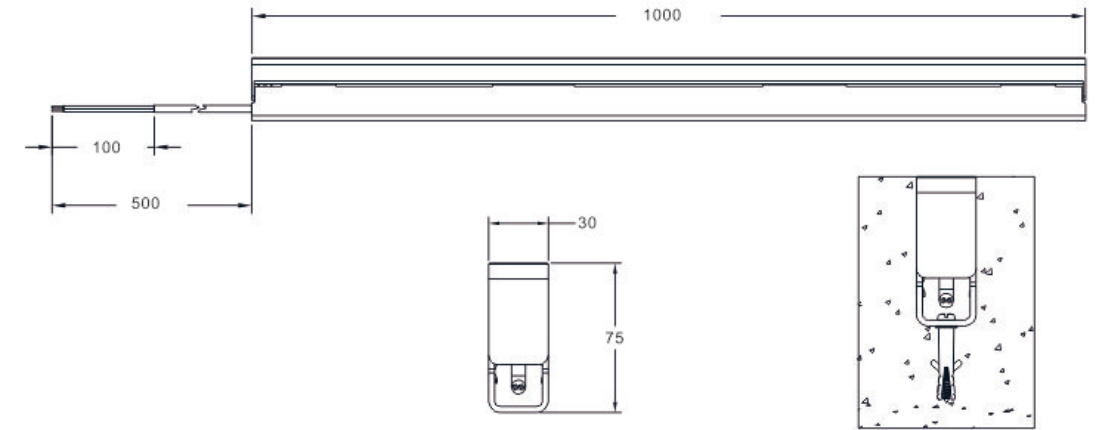
\*The CCT are measured with an accuracy of ±100K  
\*The power consumption with tolerance ± 1W  
\*Luminous flux tolerance ± 10%  
\*Detailed product datasheet contact ECO LITE Sales

>EI007 SERIES

CE IP67



Dimension:



Electrical:

Power: 12/15/24W  
Luminous Flux: 360/420/760LM  
Voltage: 24V DC

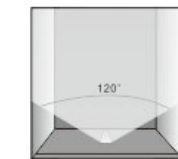
Technical:

Materials: SS 316L  
and Tempered Glass  
LED: 2835SMD  
CRI: >80  
IP Ranking: IP67  
Drive over

Color Temperature:

27-2700K  
30-3000K  
35-3500K  
40-4000K  
45-4500K  
60-6000K

Optics:



Ordering Information

Model	Power	CCT	Luminous Flux	Beam Angle	Voltage
EI007-01	12W	27/30/35	360LM	120°	24V DC
EI007-02	15W	40/45/60	420LM		
EI007-03	24W		760LM		

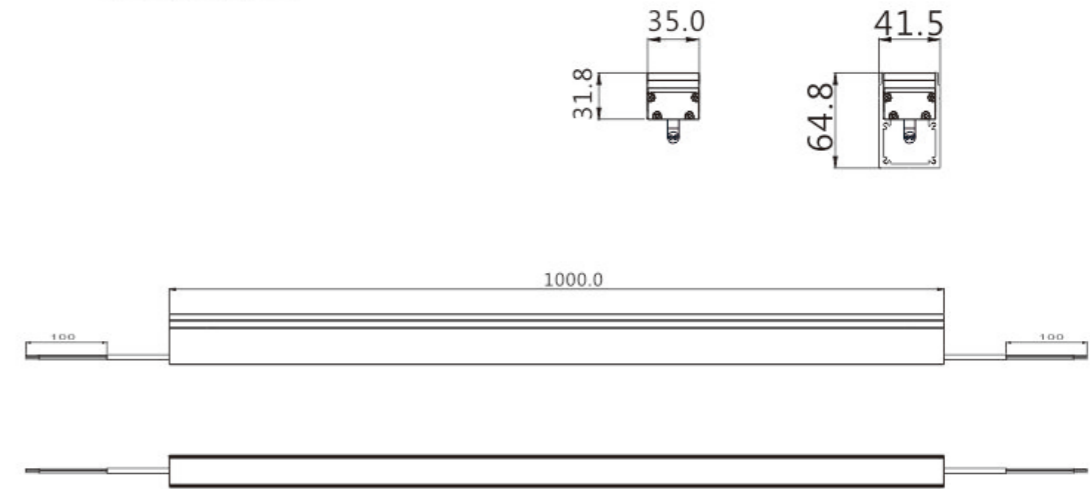
\*The CCT are measured with an accuracy of ±100K  
\*The power consumption with tolerance ± 1W  
\*Luminous flux tolerance ± 10%  
\*Detailed product datasheet contact ECO LITE Sales



>E1009 SERIES



**Dimension:**



**Electrical:**

Power: 8/ 14.4/ 28.8/ 7.2/ 17.28W  
 Luminous Flux: 120/216/432/108LM  
 Voltage: 24V DC

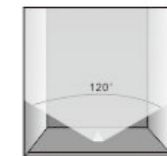
**Technical:**

Materials: Aluminum 6063  
 and Tempered Glass  
 LED: 2835SMD  
 CRI:> 80  
 IP Ranking:IP67  
 Walk over

**Color Temperature:**

- 27-2700K
- 30-3000K
- 35-3500K
- 40-4000K
- 50-5000K
- 57-5700K
- 65-6500K

**Optics:**



**Ordering Information**

Model	Power	CCT	Luminous Flux	Beam Angle	Voltage
E1009-01	8W		120LM		
E1009-02	14.4W	27/30/35	216LM		
E1009-03	28.8W	40/50/57 65	432LM	120°	24V DC
E1009-04	7.2W		108LM		
E1009-05	17.28W	RGB	N/A		

\*The CCT are measured with an accuracy of ±100K  
 \*The power consumption with tolerance ± 1W  
 \*Luminous flux tolerance ± 10%  
 \*Detailed product datasheet contact ECO LITE Sales

# >EI011/12/13/15 SERIES



EI011

EI012

EI013

EI015

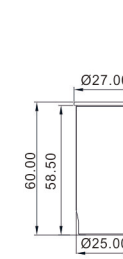


Narrow Beam

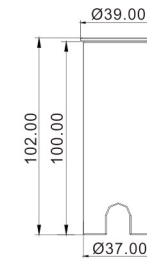


Frosted Glass

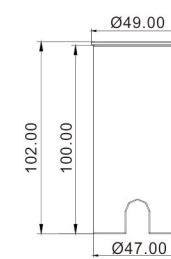
## Dimension:



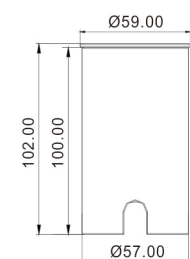
EI011



EI012A/B



EI013A/B



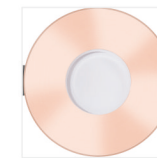
EI015A/B



SS 316L



Brass

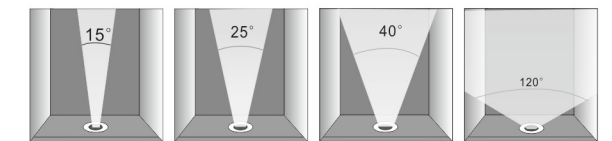


Copper

## Technical:

Materials: SS 316L Front cover  
 Light Body: Aluminum with powder coating  
 LED: CREE/Epistar  
 CRI: > 80  
 IP Ranking: IP67  
 Optics: Narrow Beam  
 Frosted Glass

## Optics:



## Ordering Information

Model	Power	LED Type	Color	Luminous Flux	Voltage	Optics
EI011	1W	CREE XP-G	A	45LM	DC 24V	120°
EI012A	1.5W	CREE XP-G	A	130LM	DC 24V	B
EI012B	1.5W	2835SMD	A	50LM	DC 24V	120°
EI013A	3W	CREE XP-G	A	215LM	DC 24V	B
EI013B	2.5W	2835SMD	A	70LM	DC 24V	120°
EI015A	5W	MHB-A-9V	A	330LM	DC 24V	B
EI015B	4W	2835SMD	A	95LM	DC 24V	120°

[A] 2700K/3000K/3500K/4000K/4500K/6000K/RGB  
 [B]15/25/40°

\*The CCT are measured with an accuracy of ±100K  
 \*The power consumption with tolerance ± 1W  
 \*Luminous flux tolerance ± 10%  
 \*Detailed product datasheet contact ECO LITE Sales



>EI016 SERIES

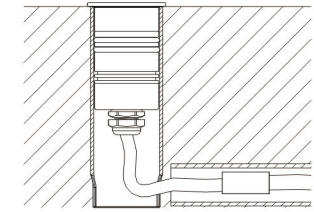
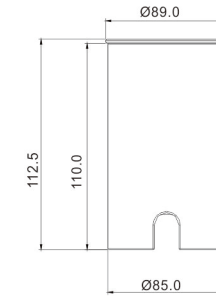


Frosted Glass  
EI016A

Narrow Beam  
EI016B

Asymmetrical  
EI016W

Dimension:



SS 316L

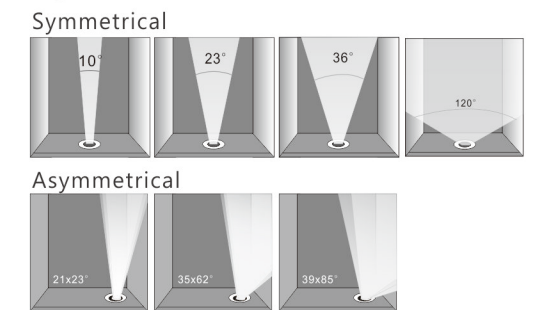
Brass

Copper

Technical:

- Materials: SS 316L Front cover
- Light Body: Aluminum with powder coating
- LED: CREE/Epistar
- CRI: > 80
- IP Ranking: IP67
- Optics: Narrow Beam
- Frosted Glass
- Symmetrical
- Asymmetrical

Optics:



Ordering Information

Model	Power	LED Type	Color	Luminous Flux	Voltage	Optics
EI016A	10W	CREE COB	A	40LM	DC 24V	120°
EI016B	10W	CREE COB	A	800LM	DC 24V	B
EI016W	10W	CITIZEN COB	A	800LM	DC 24V	C

[A] 2700K/3000K/3500K/4000K/4500K/6000K/RGB

[B] Symmetrical: 10/23/36°

[C] Asymmetrical: 21x23°, tilt 4° / 35x62°, tilt 21° / 39x85°, tilt 30°

\*The CCT are measured with an accuracy of ±100K

\*The power consumption with tolerance ± 1W

\*Luminous flux tolerance ± 10%

\*Detailed product datasheet contact ECO LITE Sales

>EI017 L SERIES



EI017A-L

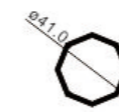
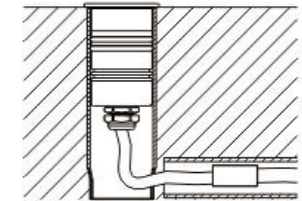
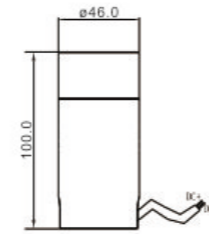


EI017B-L

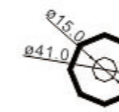


EI017C-L

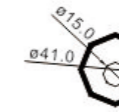
Dimension:



EI017A-L



EI017B-L



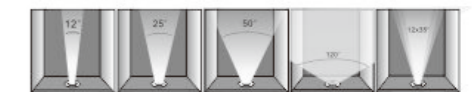
EI017C-L

Technical:

Materials: SS 316L Front cover  
 Light Body: Aluminum with powder coating  
 LED: CREE/Epistar  
 CRI: >80  
 Optics: Symmetrical  
           Asymmetrical  
           Frosted Glass

Optics:

Symmetrical



Asymmetrical



Ordering Information

Model	Power	LED Type	Color	Luminous Flux	Voltage	Optics	IP Ranking
EI017A-L	3W	2835-12LED	A	40LM	DC 24V	120°	IP67
EI017B-L	3W	CREE XP-G2	A	200LM	DC 24V	B	IP67
EI017C-L	3W	CREE XP-G2	A	200LM	DC 24V	B	IP67

[A] 2700K/3000K/3500K/4000K/4500K/6000K/RGB  
 [B] Symmetrical: 12/25/50/12\*35°  
       Asymmetrical: 12/25/50/12\*35°, tilt 12 °

\*The CCT are measured with an accuracy of ±100K  
 \*The power consumption with tolerance ± 1W  
 \*Luminous flux tolerance ± 10%  
 \*Detailed product datasheet contact ECO LITE Sales



>EI017 T SERIES

CE IP67

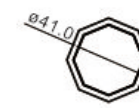
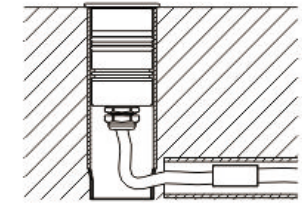
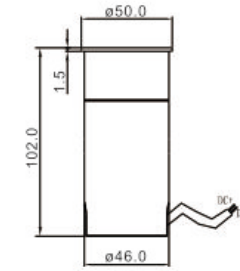


EI017A-T

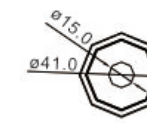
EI017B-T

EI017C-T

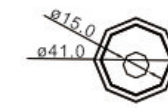
Dimension:



EI017A-T



EI017B-T



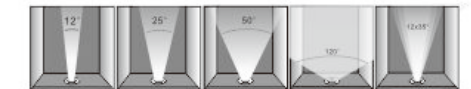
EI017C-T

Technical:

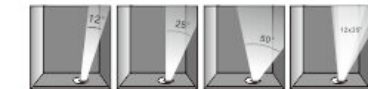
Materials: SS 316L Front cover  
 Light Body: Aluminum with powder coating  
 LED: CREE/Epistar  
 CRI: >80  
 Optics: Symmetrical  
 Asymmetrical  
 Frosted Glass

Optics:

Symmetrical



Asymmetrical



Ordering Information

Model	Power	LED Type	Color	Luminous Flux	Voltage	Optics	IP Ranking
EI017A-T	3W	2835-12LED	A	40LM	DC 24V	120°	IP67
EI017B-T	3W	CREE XP-G2	A	200LM	DC 24V	B	IP67
EI017C-T	3W	CREE XP-G2	A	200LM	DC 24V	B	IP67

[A] 2700K/3000K/3500K/4000K/4500K/6000K/RGB  
 [B] Symmetrical: 12/25/50/12\*35°  
 Asymmetrical: 12/25/50/12\*35°, tilt 12°

\*The CCT are measured with an accuracy of ±100K  
 \*The power consumption with tolerance ± 1W  
 \*Luminous flux tolerance ± 10%  
 \*Detailed product datasheet contact ECO LITE Sales

>EI018 L SERIES

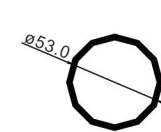
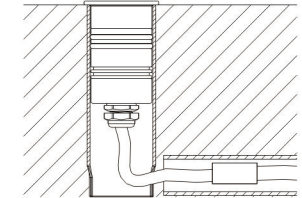
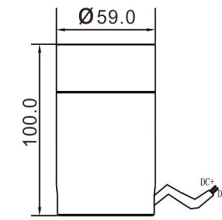


EI018A-L

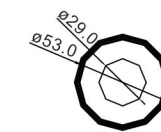


EI018B-L

Dimension:



EI018A-L

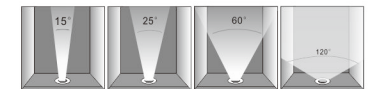


EI018B-L

Technical:

Materials: SS 316L Front cover  
 Light Body: Aluminum with powder coating  
 LED: CREE/Epistar  
 CRI: > 80  
 Optics: Symmetrical  
 Frosted Glass

Optics:



Ordering Information

Model	Power	LED Type	Color	Luminous Flux	Voltage	Optics	IP Ranking
EI018A-L	5W	2835-18LED	A	80LM	DC 24V	120°	IP67
EI018B-L	5W	MHB-A-9V	A	330LM	DC 24V	B	IP67

[A] 2700K/3000K/3500K/4000K/4500K/6000K/RGB  
 [B] 15/25/60°

\*The CCT are measured with an accuracy of ±100K  
 \*The power consumption with tolerance ± 1W  
 \*Luminous flux tolerance ± 10%  
 \*Detailed product datasheet contact ECO LITE Sales



>EI018 T SERIES

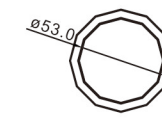
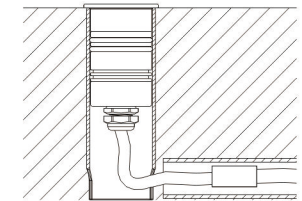
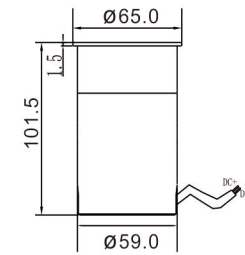


EI018A-T

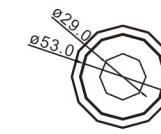


EI018B-T

Dimension:



EI018A-T

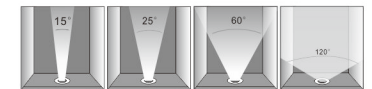


EI018B-T

Technical:

Materials: SS 316L Front cover  
 Light Body: Aluminum with powder coating  
 LED: CREE/Epistar  
 CRI: > 80  
 Optics: Symmetrical  
 Frosted Glass

Optics:



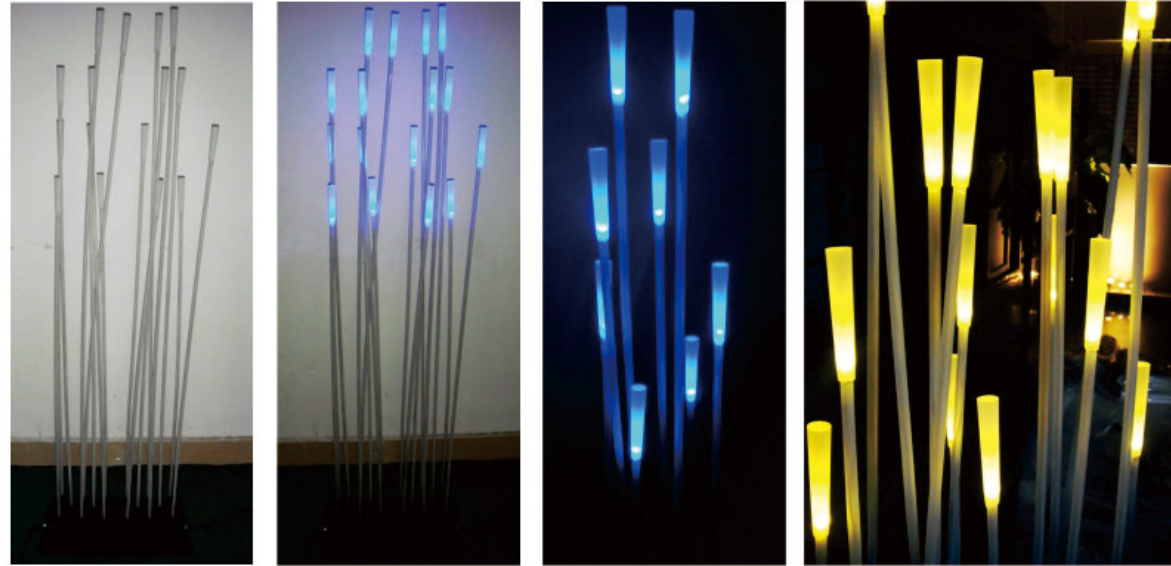
Ordering Information

Model	Power	LED Type	Color	Luminous Flux	Voltage	Optics	IP Ranking
EI018A-T	5W	2835-18LED	A	80LM	DC 24V	120°	IP67
EI018B-T	5W	MHB-A-9V	A	330LM	DC 24V	B	IP67

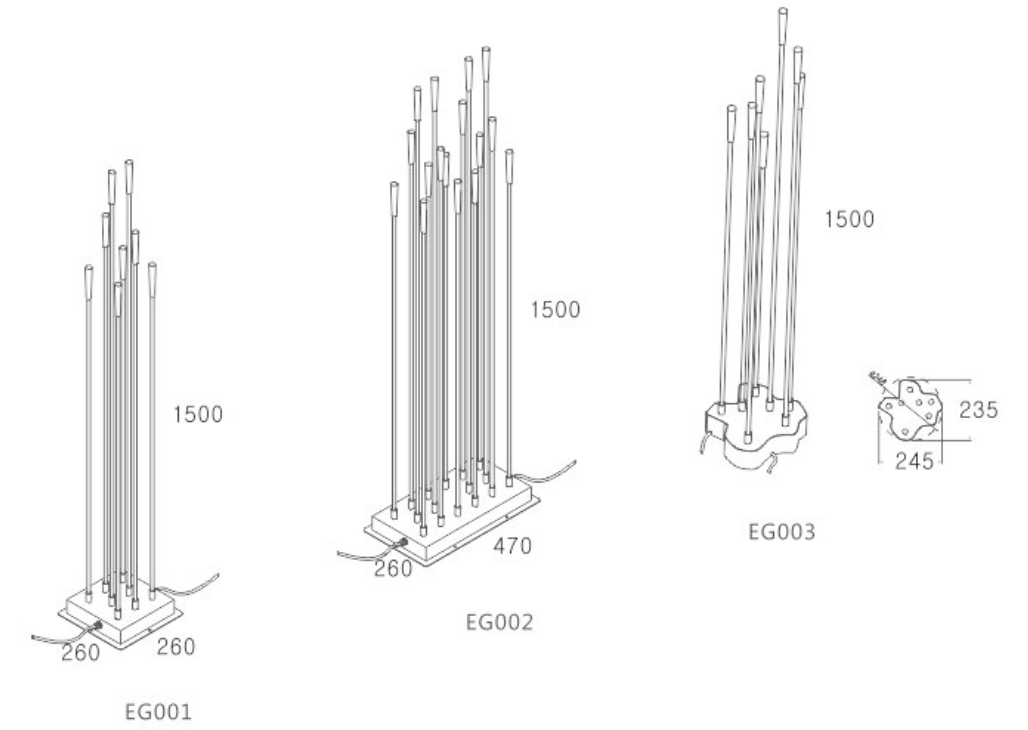
[A] 2700K/3000K/3500K/4000K/4500K/6000K/RGB  
 [B] 15/25/60°

\*The CCT are measured with an accuracy of ±100K  
 \*The power consumption with tolerance ± 1W  
 \*Luminous flux tolerance ± 10%  
 \*Detailed product datasheet contact ECO LITE Sales

# >GARDEN LIGHT SERIES



## Dimension:



## Technical:

Materials: SS 316L  
 Finishing: Powder coating Black  
 IP Ranking: IP68  
 Available in customized specification

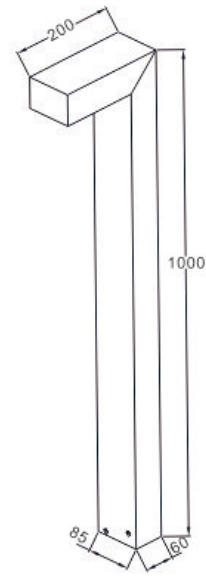
## Ordering Informatin

Model	Power	Color	Voltage	Control
EG001	3W	A	24V DC/110V-240V AC	On/Off/DMX Control
EG002	6W	A	24V DC/110V-240V AC	On/Off/DMX Control
EG003	2W	A	24V DC/110V-240V AC	On/Off/DMX Control

[A]2700K/3000K/4000K/4500K/6000K/Red/Green/Blue/RGB

\*The CCT are measured with an accuracy of ±100K  
 \*The power consumption with tolerance ± 1W  
 \*Available in customized specification  
 \*Detailed product datasheet contact ECO LITE Sales

## >GARDEN LIGHT SERIES



### Technical:

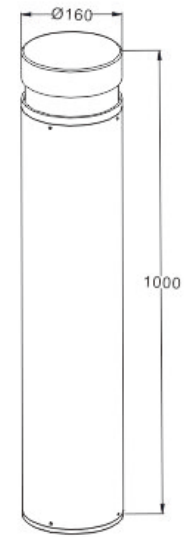
Materials: Aluminum 6063  
 Finishing: Powder Coating Black  
 LED: Epistar, 5730SMD  
 Input: 24V DC/100V~240V AC

### Ordering Information

Model	Power	Color	Voltage	IP Ranking
EG005	10W	A	24V DC/110V-240V AC	IP65

[A]2700K/3000K/4000K/4500K/6000K

\*The CCT are measured with an accuracy of ±100K  
 \*The power consumption with tolerance ± 1W  
 \*Available in customized specification  
 \*Detailed product datasheet contact ECO LITE Sales



### Technical:

Materials: Aluminum 6063  
 Finishing: Powder Coating Black  
 LED: Epistar, 3030SMD  
 Input: 24V DC/100V~240V AC

### Ordering Information

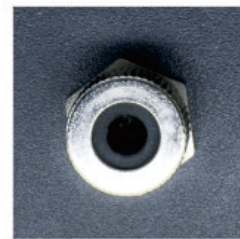
Model	Power	Color	Voltage	IP Ranking
EG006	10W	A	24V DC/110V-240V AC	IP65

[A]2700K/3000K/4000K/4500K/6000K

\*The CCT are measured with an accuracy of ±100K  
 \*The power consumption with tolerance ± 1W  
 \*Available in customized specification  
 \*Detailed product datasheet contact ECO LITE Sales



## >FIBER OPTIC SYSTEM SERIES



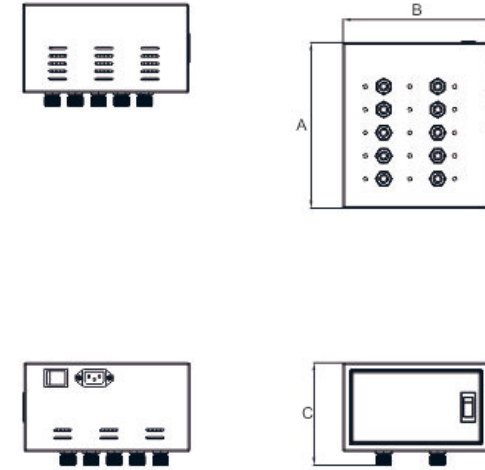
### Feature:

1. Special designed Fiber Generator for easy installation;
2. Fiber Optic can be MAX50M with different size;
3. Best suitable for facade, Inground and pool use without considering waterproof and maintenance;
4. On/Off or DMX512 Control;
5. Available in customized specification.

### Technical:

Materials: Galvanized Plate;  
 Finishing: Powder Coating Black;  
 LED: CREE  
 Driver: Mean Well Brand;  
 Input: 100V~240V AC

### Dimension:



Model	A	B	C
EFB001	215	200	133
EFB002	500	328	234
EFB003	500	516	210

### Ordering Information

Model	Power	Port	Color	Control
EFB001A	17.5W	10	Single Color	On/Off/DMX Control
EFB001B	70W	10	RGBW	DMX Control
EFB002A	105W	30	Single Color	On/Off/DMX Control
EFB002B	210W	30	RGBW	DMX Control
EFB003A	175W	50	Single Color	On/Off/DMX Control
EFB003B	350W	50	RGBW	DMX Control

[Single Color]2300K/ 2700K/3000K/3500K/4000K/4500K/6000K/Red/Green/Blue

### Accessories



**EFBAC001**  
Fiber Optic



**EFBAC002**  
Light Engine



**T-500K**  
DMX512 Controller

\*The CCT are measured with an accuracy of ±100K  
 \*The power consumption with tolerance ± 1W  
 \*Luminous flux tolerance ± 10%  
 \*Detailed product datasheet contact ECO LITE Sales





## INTERIOR LIGHTING



- Down Light
- Cabinet Light
- Spotlight
- Flexible LED Strip
- Aluminum Profile





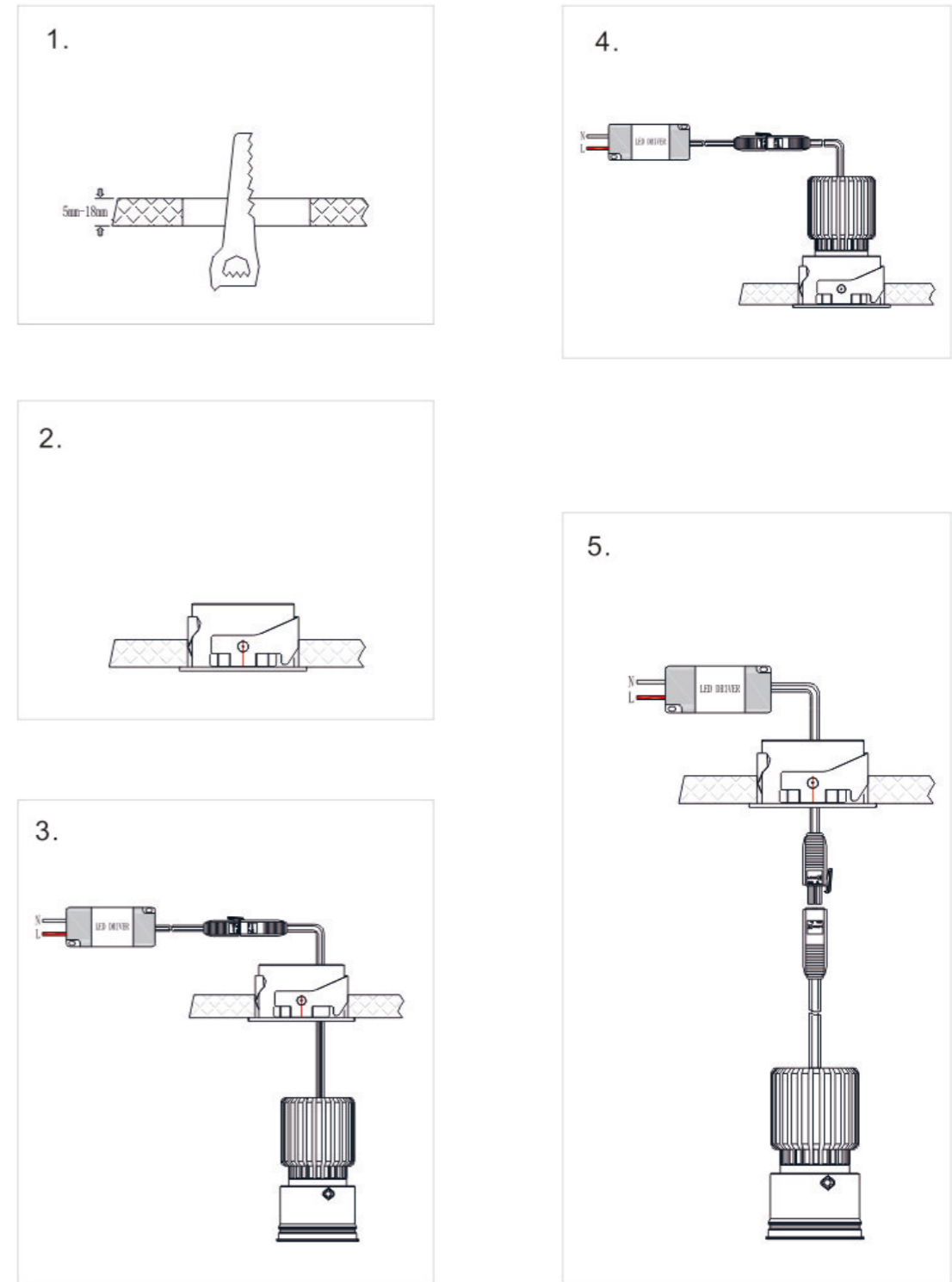
## DOWNLIGHT



360 Degree Adjustable Downlight, fixed body, removable and changeable light source, No damage to ceiling, which has 3 dimming versions in Traic, 0~10V and Dali dimmable. This product suits to home lighting, hotel, commercial lighting and so on.



### Fixed down light body, removable and changeable light source, no damage to ceiling





>ES007 SERIES



ES007A

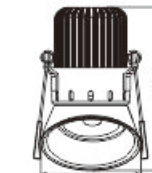


ES007B

**Dimension:**



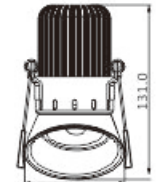
7W  
ES007A



7W  
ES007B



10/12W  
ES007A



10/12W  
ES007B

**Electrical:**

Power: 7/10/12W  
Luminous Flux: 560/800/960LM  
Voltage: 100V~240V AC

**Technical:**

Material: Aluminum 6063  
Finishing: Anodized White/Customized  
LED: CITIZEN COB  
CRI: >90  
IP Ranking:IP44

**Color Temperature:**

- 27-2700K
- 30-3000K
- 35-3500K
- 40-4000K
- 45-4500K
- 50-5000K
- 57-5700K
- 65-6500K

**Dimming:**

- Non Dimmable
- Traic
- 0~10V
- Dali

**Finishing:**

- White-W
- Black-B

**Optics:**



**Ordering Information**

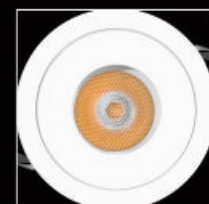
Model	Power	CCT	Beam Angle	Dimming	Finishing
ES007A	7W	27/30/35	24°	Non Dimmable	White-W
ES007B	10W	40/45/50	38°	Traic	Black-B
	12W	57/65	60°	0~10V Dali	

\*The CCT are measured with an accuracy of ±100K  
\*The power consumption with tolerance ± 1W  
\*Luminous flux tolerance ± 10%  
\*Detailed product datasheet contact ECO LITE Sales

>ES017 SERIES



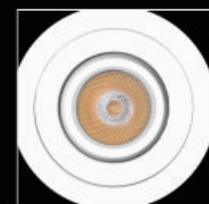
ES017A



ES017B

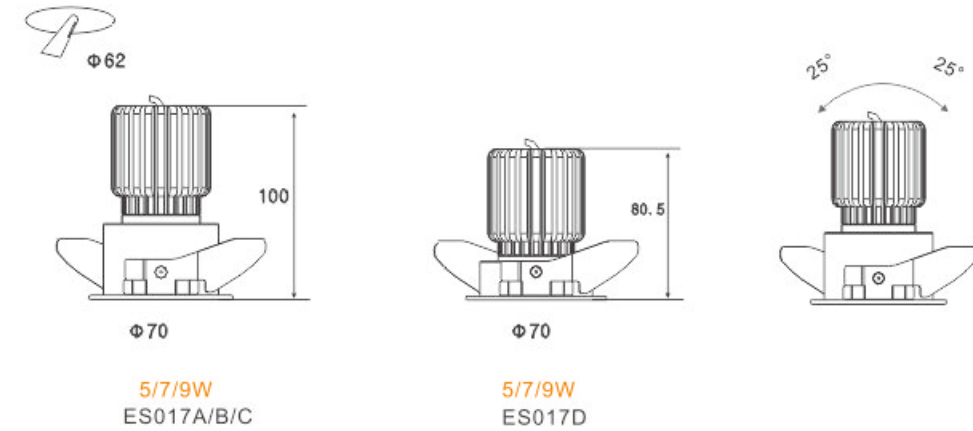


ES017C



ES017D

**Dimension:**



**Electrical:**

Power: 5/7/9W  
Luminous Flux: 400/560/720LM  
Voltage: 100V~240V AC

**Technical:**

Material: Aluminum 6063  
Finishing: Powder Coating  
LED: CITIZEN COB  
CRI: >90  
IP Ranking: IP44

**Color Temperature:**

- 27-2700K
- 30-3000K
- 35-3500K
- 40-4000K
- 45-4500K
- 50-5000K
- 57-5700K
- 65-6500K

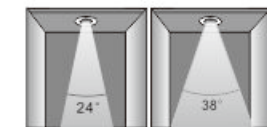
**Dimming:**

- Non Dimmable
- Traic
- 0~10V
- Dali

**Finishing:**

- White-W
- Black-B

**Optics:**



**Ordering Information**

Model	Power	CCT	Beam Angle	Dimming	Finishing
ES017A	5W	27/30/35	24°	Non Dimmable	White-W Black-B
ES017B	7W	40/45/50	38°	Traic	
ES017C	9W	57/65		0~10V	
ES017D				Dali	

\*The CCT are measured with an accuracy of ±100K  
\*The power consumption with tolerance ± 1W  
\*Luminous flux tolerance ± 10%  
\*Detailed product datasheet contact ECO LITE Sales



>ES019 SERIES



ES019A



ES019B



ES019C



ES019D

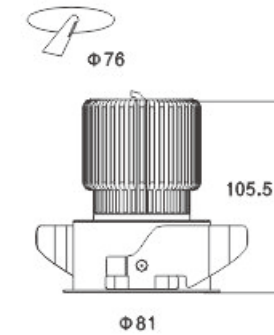


ES019E

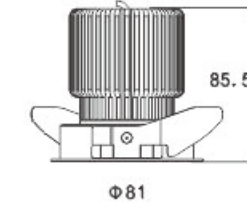


ES019F

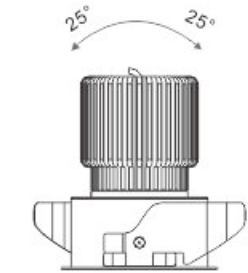
**Dimension:**



10/12/15W  
ES019A/B/C



10/12/15W  
ES019D



**Electrical:**

Power: 10/12/15W  
Luminous Flux: 800/960/1200LM  
Voltage: 100V~240V AC

**Technical:**

Material: Aluminum 6063  
Finishing: Powder Coating  
LED: CITIZEN COB  
CRI: >90  
IP Ranking:IP44

**Color Temperature:**

- 27-2700K
- 30-3000K
- 35-3500K
- 40-4000K
- 45-4500K
- 50-5000K
- 57-5700K
- 65-6500K

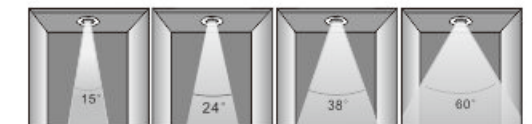
**Dimming:**

- Non Dimmable
- Traic
- 0~10V
- Dali

**Finishing:**

- White-W
- Black-B

**Optics:**



**Ordering Information**

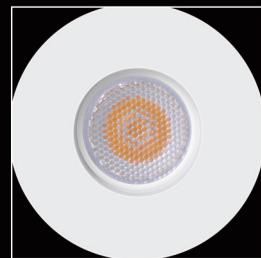
Model	Power	CCT	Beam Angle	Dimming	Finishing
ES019A	10W	27/30/35	15°	Non Dimmable	
ES019B	12W	40/45/50	24°	Traic	White-W
ES019C	15W	57/65	38°	0~10V	Black-B
ES019D			60°	Dali	

\*The CCT are measured with an accuracy of ±100K  
\*The power consumption with tolerance ± 1W  
\*Luminous flux tolerance ± 10%  
\*Detailed product datasheet contact ECO LITE Sales

>EC001 SERIES

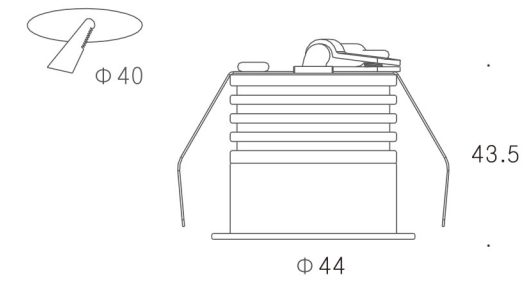


EC001A



EC001B

**Dimension:**



**Electrical**

Power: 3W  
Luminous Flux: 150LM  
Voltage:100V~240V AC

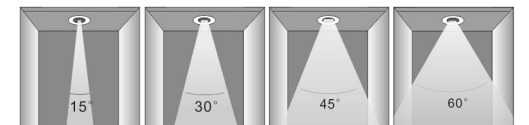
**Color**

27-2700K  
30-3000K  
35-3500K  
40-4000K  
45-4500K  
50-5000K  
57-5700K  
65-6500K

**Technical**

Materials: Aluminum 6063  
LED:CREE ,XP-G  
CRI:>80  
IP Ranking:IP40

**Optics:**



**Ordering Information**

Model	Power	Luminous Flux	CCT	Beam Angle	Finishing
EC001A	3W	150LM	27/30/35	15°	White-W Black-B
EC001B			40/45/50	30°	
			57/65	45°	
				60°	

\*The CCT are measured with an accuracy of ±100K  
\*The power consumption with tolerance ± 0.5W  
\*Available in customized specification.  
\*Detailed product datasheet contact ECO LITE Sales



>ES020 SERIES



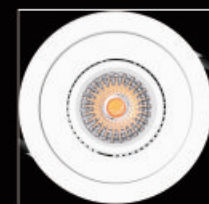
ES020A



ES020B

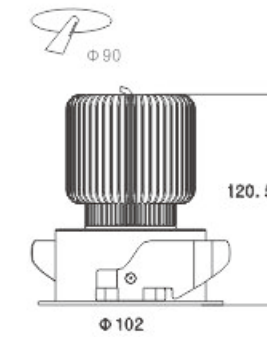


ES020C

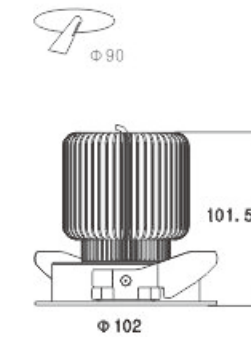


ES020D

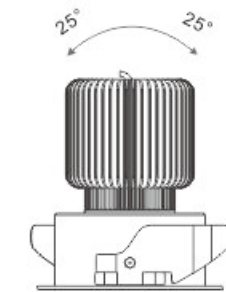
**Dimension:**



15/18/20W  
ES020A/B/C



15/18/20W  
ES020D



**Electrical:**

Power: 15/18/20W  
Luminous Flux: 1200/1440/1600LM  
Voltage: 100V~240V AC

**Color Temperature:**

- 27-2700K
- 30-3000K
- 35-3500K
- 40-4000K
- 45-4500K
- 50-5000K
- 57-5700K
- 65-6500K

**Finishing:**

White-W  
Black-B

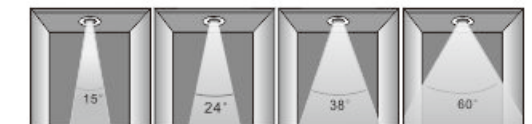
**Technical:**

Material: Aluminum 6063  
Finishing: Powder Coating  
LED: CITIZEN COB  
CRI: >90  
IP Ranking:IP44

**Dimming:**

Non Dimmable  
Traic  
0~10V  
Dali

**Optics:**



**Ordering Information**

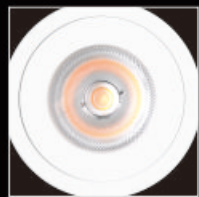
Model	Power	CCT	Beam Angle	Dimming	Finishing
ES020A	15W	27/30/35	15°	Non Dimmable	
ES020B	18W	40/45/50	24°	Traic	White-W
ES020C	20W	57/65	38°	0~10V	Black-B
ES020D			60°	Dali	

\*The CCT are measured with an accuracy of ±100K  
\*The power consumption with tolerance ± 1W  
\*Luminous flux tolerance ± 10%  
\*Detailed product datasheet contact ECO LITE Sales

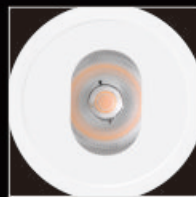
>ES021 SERIES



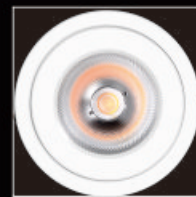
ES021A



ES021B

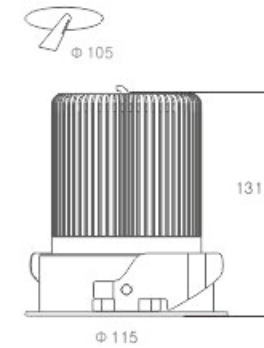


ES021C

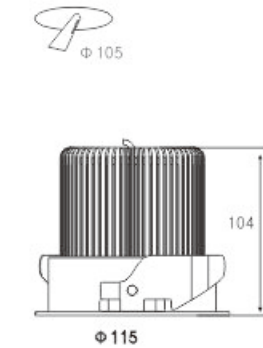


ES021D

**Dimension:**



20/25/30W  
ES021A/B/C



20/25/30W  
ES021D

**Electrical:**

Power: 20/25/30W  
Luminous Flux: 1600/2000/2400LM  
Voltage: 100V~240V AC

**Color Temperature:**

- 27-2700K
- 30-3000K
- 35-3500K
- 40-4000K
- 45-4500K
- 50-5000K
- 57-5700K
- 65-6500K

**Finishing:**

White-W  
Black-B

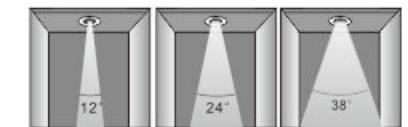
**Technical:**

Material: Aluminum 6063  
Finishing: Powder Coating  
LED: CITIZEN COB  
CRI: >90  
IP Ranking:IP44

**Dimming:**

Non Dimmable  
Traic  
0~10V  
Dali

**Optics:**



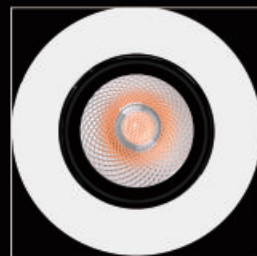
**Ordering Information**

Model	Power	CCT	Beam Angle	Dimming	Finishing
ES021A	20W	27/30/35	12°	Non Dimmable	White-W Black-B
ES021B	25W	40/45/50	24°	Traic	
ES021C	30W	57/65	38°	0~10V	
ES021D				Dali	

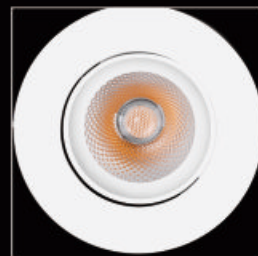
\*The CCT are measured with an accuracy of ±100K  
\*The power consumption with tolerance ± 1W  
\*Luminous flux tolerance ± 10%  
\*Detailed product datasheet contact ECO LITE Sales



>ES022 SERIES

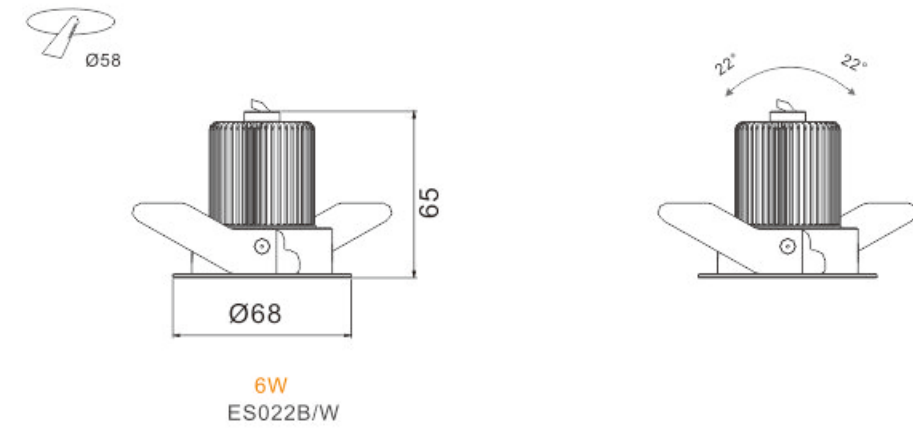


ES022B  
Black Bezel



ES022W  
White Bezel

**Dimension:**



**Electrical:**

Power: 6W  
Luminous Flux: 660LM  
Voltage: 100V~240V AC

**Color Temperature:**

27-2700K  
30-3000K  
35-3500K  
40-4000K  
45-4500K  
50-5000K  
57-5700K  
65-6500K

**Finishing:**

White-W  
Black-B

**Technical:**

Material: Aluminum 6063  
Finishing: Powder Coating  
LED: CREE COB  
CRI: >80  
IP Ranking:IP44

**Dimming:**

Non Dimmable  
Traic  
0~10V  
Dali

**Optics:**



**Ordering Information**

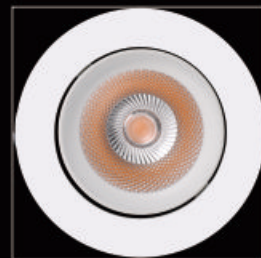
Model	Power	CCT	Beam Angle	Dimming	Finishing
ES022B	6W	27/30/35	10°	Non Dimmable Traic 0~10V Dali	White-W Black-B
ES022W		40/45/50	23°		
		57/65	38°		

\*The CCT are measured with an accuracy of ±100K  
\*The power consumption with tolerance ± 1W  
\*Luminous flux tolerance ± 10%  
\*Detailed product datasheet contact ECO LITE Sales

>ES023 SERIES

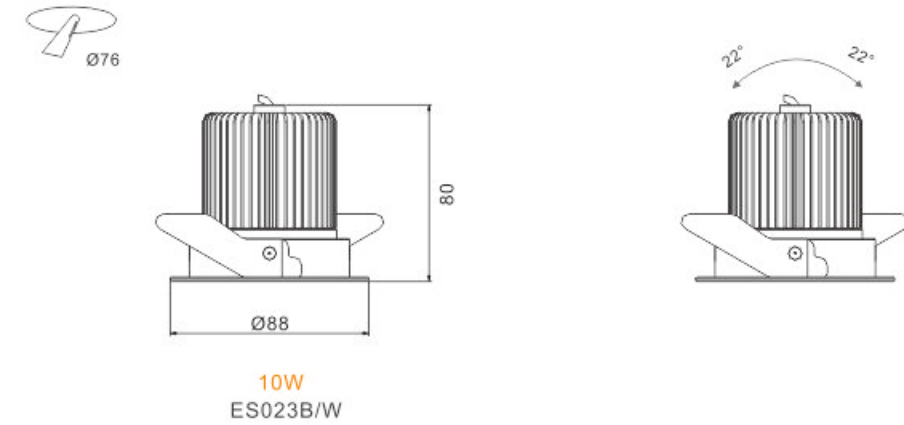


ES023B  
Black Bezel



ES023W  
White Bezel

**Dimension:**



**Electrical:**

Power: 10W  
Luminous Flux: 990LM  
Voltage: 100V~240V AC

**Color Temperature:**

- 27-2700K
- 30-3000K
- 35-3500K
- 40-4000K
- 45-4500K
- 50-5000K
- 57-5700K
- 65-6500K

**Finishing:**

White-W  
Black-B

**Technical:**

Material: Aluminum 6063  
Finishing: Powder Coating  
LED: CREE COB  
CRI: >80  
IP Ranking: IP44

**Dimming:**

Non Dimmable  
Traic  
0~10V  
Dali

**Optics:**



**Ordering Information**

Model	Power	CCT	Beam Angle	Dimming	Finishing
ES023B	10W	27/30/35	10°	Non Dimmable Traic 0~10V Dali	White-W Black-B
ES023W		40/45/50	23°		
		57/65	38°		

\*The CCT are measured with an accuracy of ±100K  
\*The power consumption with tolerance ± 1W  
\*Luminous flux tolerance ± 10%  
\*Detailed product datasheet contact ECO LITE Sales

>ES024 SERIES

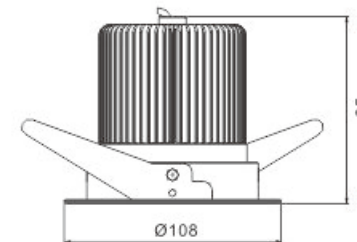


ES024B  
Black Bezel

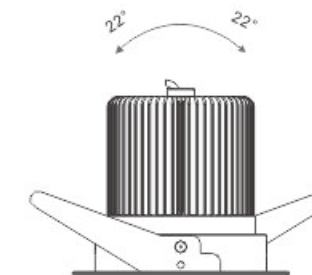


ES024W  
White Bezel

**Dimension:**



20W  
ES024B/W



**Electrical:**

Power: 20W  
Luminous Flux: 1650LM  
Voltage: 100V~240V AC

**Technical:**

Material: Aluminum 6063  
Finishing: Powder Coating  
LED: CREE COB  
CRI: >80  
IP Ranking:IP44

**Color Temperature:**

- 27-2700K
- 30-3000K
- 35-3500K
- 40-4000K
- 45-4500K
- 50-5000K
- 57-5700K
- 65-6500K

**Dimming:**

Non Dimmable  
Traic  
0~10V  
Dali

**Finishing:**

White-W  
Black-B

**Optics:**



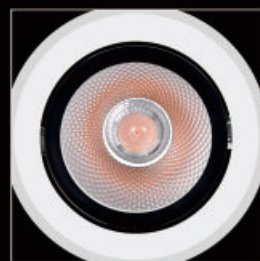
**Ordering Information**

Model	Power	CCT	Beam Angle	Dimming	Finishing
ES024B	20W	27/30/35	10°	Non Dimmable Traic 0~10V Dali	White-W Black-B
ES024W		40/45/50	23°		
		57/65	38°		

\*The CCT are measured with an accuracy of ±100K  
\*The power consumption with tolerance ± 1W  
\*Luminous flux tolerance ± 10%  
\*Detailed product datasheet contact ECO LITE Sales



>ES025 SERIES

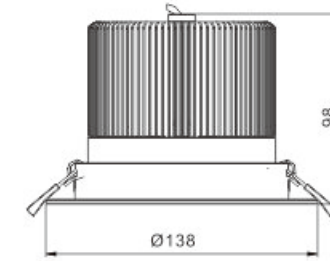


ES025B  
Black Bezel

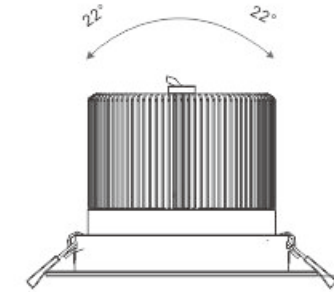


ES025W  
White Bezel

Dimension:



30W  
ES025B/W



Electrical:

Power: 30W  
Luminous Flux: 2330LM  
Voltage: 100V~240V AC

Color Temperature:

27-2700K  
30-3000K  
35-3500K  
40-4000K  
45-4500K  
50-5000K  
57-5700K  
65-6500K

Finishing:

White-W  
Black-B

Technical:

Material: Aluminum 6063  
Finishing: Powder Coating  
LED: CREE COB  
CRI: >80  
IP Ranking: IP44

Dimming:

Non Dimmable  
Traic  
0~10V  
Dali

Optics:

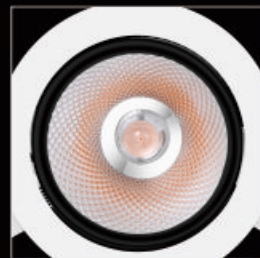


Ordering Information

Model	Power	CCT	Beam Angle	Dimming	Finishing
ES025B	30W	27/30/35	10°	Non Dimmable Traic 0~10V Dali	White-W Black-B
ES025W		40/45/50	23°		
		57/65	38°		

\*The CCT are measured with an accuracy of ±100K  
\*The power consumption with tolerance ± 1W  
\*Luminous flux tolerance ± 10%  
\*Detailed product datasheet contact ECO LITE Sales

>ES026 SERIES

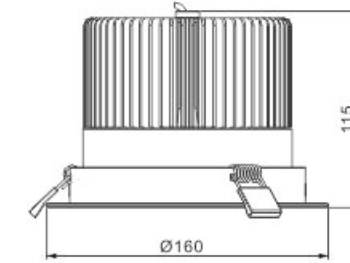


ES026B  
Black Bezel

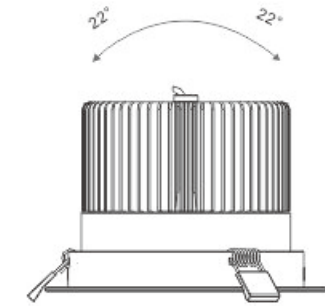


ES026W  
White Bezel

**Dimension:**



45W  
ES026B/W



**Electrical:**

Power: 45W  
Luminous Flux: 3400LM  
Voltage: 100V~240V AC

**Color Temperature:**

27-2700K  
30-3000K  
35-3500K  
40-4000K  
45-4500K  
50-5000K  
57-5700K  
65-6500K

**Finishing:**

White-W  
Black-B

**Technical:**

Material: Aluminum 6063  
Finishing: Powder Coating  
LED: CREE COB  
CRI: > 80  
IP Ranking: IP44

**Dimming:**

Non Dimmable  
Traic  
0~10V  
Dali

**Optics:**



**Ordering Information**

Model	Power	CCT	Beam Angle	Dimming	Finishing
ES026B	45W	27/30/35	10°	Non Dimmable Traic 0~10V Dali	White-W Black-B
ES026W		40/45/50	23°		
		57/65	38°		

\*The CCT are measured with an accuracy of ±100K  
\*The power consumption with tolerance ± 1W  
\*Luminous flux tolerance ± 10%  
\*Detailed product datasheet contact ECO LITE Sales

>ES027 SERIES

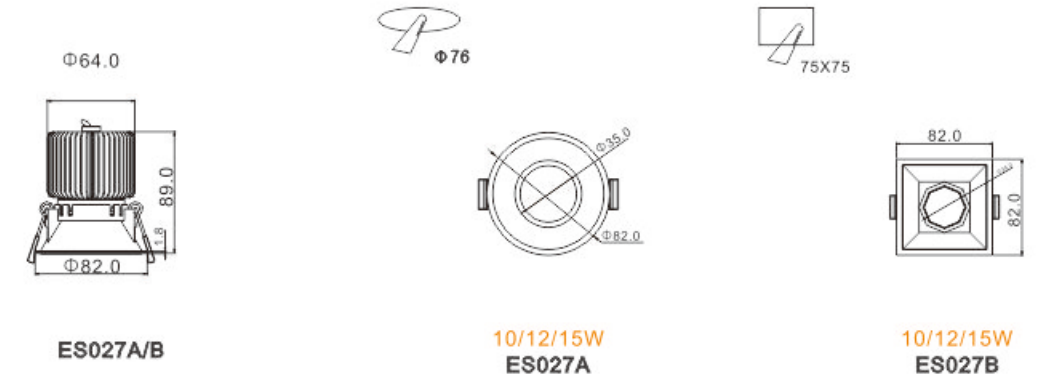


ES027A



ES027B

**Dimension:**



**Electrical:**

Power: 10/12/15W  
Luminous Flux: 800/960/1200LM  
Voltage: 100V~240V AC

**Technical:**

Material: Aluminum 6063 and Plastic  
Finishing: Anodized  
LED: CITIZEN COB  
CRI: >90  
IP Ranking:IP44

**Color Temperature:**

- 27-2700K
- 30-3000K
- 35-3500K
- 40-4000K
- 45-4500K
- 50-5000K
- 57-5700K
- 65-6500K

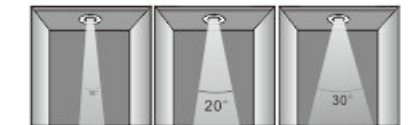
**Dimming:**

Non Dimmable  
Traic  
0~10V  
Dali

**Finishing:**

White-W  
Black-B

**Optics:**



**Ordering Information**

Model	Power	CCT	Beam Angle	Dimming	Finishing
ES027A	10W	27/30/35	10°	Non Dimmable	White-W
ES027B	12W	40/45/50	20°	Traic	Black-B
	15W	57/65	30°	0~10V Dali	

\*The CCT are measured with an accuracy of ±100K  
\*The power consumption with tolerance ± 1W  
\*Luminous flux tolerance ± 10%  
\*Detailed product datasheet contact ECO LITE Sales





## CABINET LIGHT



This LED Cabinet Light is made of aluminum, mainly used in Cabinets lights and decorative lighting. The light ray is uniform, soft, high brightness, protect your eyes.

This Light is Safety, energy efficiency, environmental protection and artistically decorated.

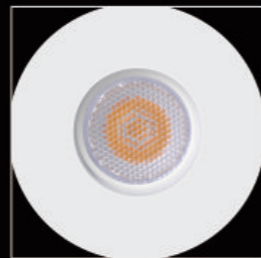




# >EC001 SERIES

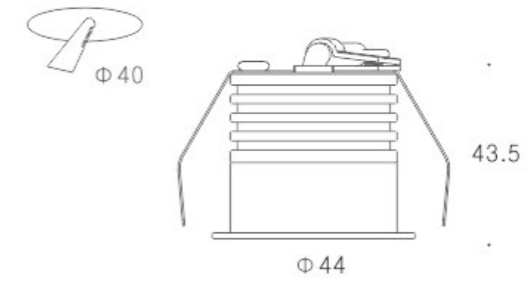


EC001A



EC001B

## Dimension:



## Electrical

Power: 3W  
Luminous Flux: 150LM  
Voltage:100V~240V AC

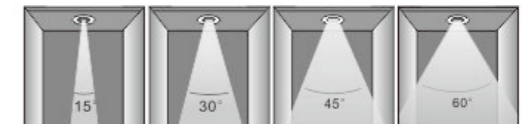
## Color

27-2700K  
30-3000K  
35-3500K  
40-4000K  
45-4500K  
50-5000K  
57-5700K  
65-6500K

## Technical

Materials: Aluminum 6063  
LED:CREE ,XP-G  
CRI:>80  
IP Ranking:IP40

## Optics:



## Ordering Information

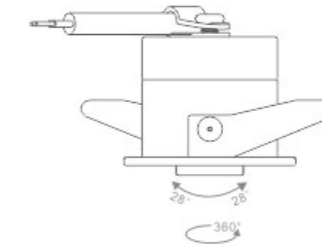
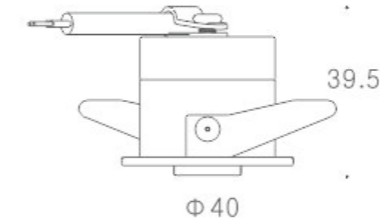
Model	Power	Luminous Flux	CCT	Beam Angle	Finishing
EC001A	3W	150LM	27/30/35	15°	White-W Black-B
EC001B			40/45/50	30°	
			57/65	45°	
				60°	

\*The CCT are measured with an accuracy of ±100K  
\*The power consumption with tolerance ± 0.5W  
\*Available in customized specification.  
\*Detailed product datasheet contact ECO LITE Sales

>EC002



**Dimension:**



**Electrical**

Power: 2W  
Luminous Flux: 100LM  
Voltage:100V~240V AC

**Color**

Warm White: 2700K~3500K  
Natural White: 4000K-4500K  
Pure White: 5500K~6000K,

**Technical**

Materials: Aluminum 6063  
LED:CREE ,XP-G  
CRI:> 80  
IP Ranking:IP40

**Optics:**



**Ordering Information**

Model	Power	Luminous Flux	CCT	Beam Angle	Finishing
EC002	2W	100LM	27~35 40~45 55~60	40°	White-W Black-B

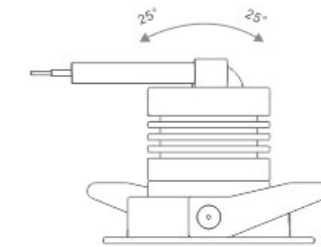
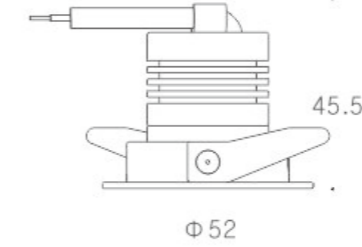
\*The CCT are measured with an accuracy of ±100K  
\*The power consumption with tolerance ± 0.5W  
\*Available in customized specification.  
\*Detailed product datasheet contact ECO LITE Sales



>EC004



**Dimension:**



**Electrical**

Power: 4W  
Luminous Flux: 225LM  
Voltage:100V~240V AC

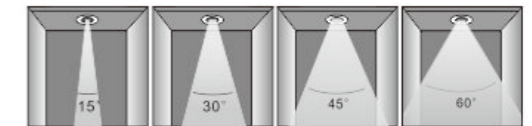
**Color**

Warm White: 2700K~3500K  
Natural White: 4000K-4500K  
Pure White: 5500K~6000K,

**Technical**

Materials: Aluminum 6063  
LED:CREE ,XP-G  
CRI:>80  
IP Ranking:IP40

**Optics:**



**Ordering Information**

Model	Power	Luminous Flux	CCT	Beam Angle	Finishing
EC003	4W	225LM	27~35	15°	White-W Black-B
			40~45	30°	
			55~60	45°	
				60°	

\*The CCT are measured with an accuracy of ±100K  
\*The power consumption with tolerance ± 0.5W  
\*Available in customized specification.  
\*Detailed product datasheet contact ECO LITE Sales



## SPOTLIGHT



Anodizing Technology Aluminum body with the best heat dissipation and COB LED make sure the life time for Light,different beam angle of Lens make the uniform lighting effect.

This product suits to home lighting, commercial lighting and so on.





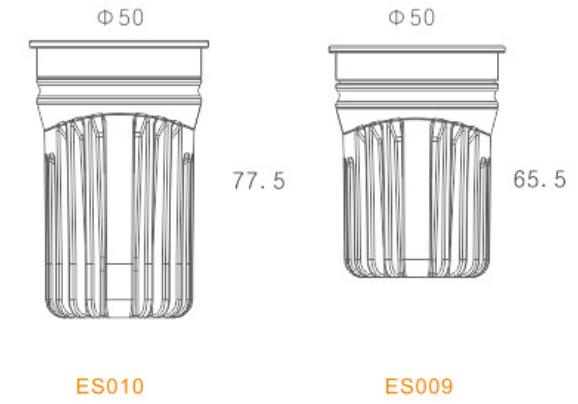
>ES010



ES010

ES009

**Dimension:**



**Electrical**

Power:6/9W  
Luminous Flux:450/750LM  
Voltage: 100V~240V AC

**Color**

- 27-2700K
- 30-3000K
- 35-3500K
- 40-4000K
- 45-4500K
- 50-5000K
- 57-5700K
- 65-6500K

**Technical**

Materials: Aluminum 6063  
LED: CITIZEN COB  
IP Rank:IP44

**Optics:**



**Ordering Information**

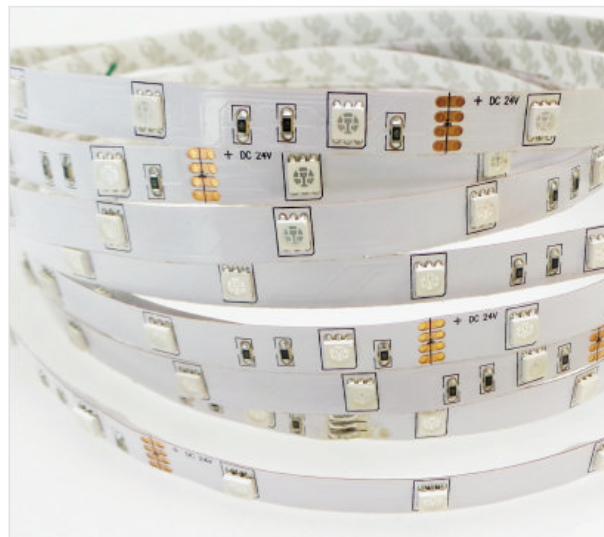
Model	Power	Luminous Flux	CCT	Beam Angle	Finishing
ES009	6W	450LM	27/30/35	15°/24°/38°/60°	Silver
ES010	10W	750LM	40/45/50 57/65		

\*The CCT are measured with an accuracy of ±100K  
\*The power consumption with tolerance ± 0.5W  
\*Available in customized specification.  
\*Detailed product datasheet contact ECO LITE Sales

## >IP20 FLEXIBLE STRIP SERIES



LED Chip ONE BIN ONLY.  
 MAX 3 Step MacAdam.  
 Ra80/Ra90/Ra95.  
 IP20/IP65/IP67.  
 Warranty 5 years.  
 CE & UL Approval.  
 Available in customized spec.



\*The CCT are measured with an accuracy of ±100K  
 \*The power consumption with tolerance ± 1W  
 \*Luminous flux tolerance ± 10%  
 \*Detailed product datasheet contact ECO LITE Sales

### Ordering Information

24V DC

#### 2835 SERIES

Model	Power(W/M)	Lumen(LM/M)	CRI	PCB Width	Cut Segment	Series Connection Length
<b>60 LEDs/M</b>						
EF2835XX60A24V	4.8W	408LM	>80/90	8mm	100mm	15M
EF2835XX60B24V	7.68W	720LM	>80/90	8mm	100mm	10M
EF2835XX60C24V	9.6W	1050LM	>80/90	8mm	100mm	10M
<b>96 LEDs/M</b>						
EF2835XX96A24V	7.68W	750LM	>80/90	8mm	62.5mm	10M
EF2835XX96B24V	11.52W	1125LM	>80/90	8mm	62.5mm	10M
EF2835XX96C24V	15.5W	1513LM	>80/90	8mm	62.5mm	5M
EF2835XX96D24V	19.2W	1875LM	>80/90	8mm	62.5mm	5M
<b>120 LEDs/M</b>						
EF2835XX120A24V	9.6W	1050LM	>80/90	8mm	50mm	10M
EF2835XX120B24V	14.4W	1406LM	>80/90	8mm	50mm	5M
EF2835XX120C24V	19.2W	1875LM	>80/90	8mm	50mm	5M
EF2835XX120D24V	24W	2343LM	>80/90	8mm	50mm	5M
<b>240 LEDs/M</b>						
EF2835XX240A24V	19.2W	1905LM	>80/90	15mm	25mm	5M
EF2835XX240B24V	28.8W	2812LM	>80/90	15mm	25mm	5M

【Color】 2200K/2700K/3000K/ 3500K/ 4000K/5000K/5700K/6500K/Red/Green/Blue

### Ordering Information

24V DC

#### 335 Side View SERIES

Model	Power(W/M)	Lumen(LM/M)	CRI	PCB Width	Cut Segment	Series Connection Length
<b>96 LEDs/M</b>						
EF3535XX96A24V	7.68W	750LM	>80/90	8mm	62.5mm	10M

【Color】 2700K(±150K), 3000K(±150K), 3500K(±200K), 4000K(±200K),6350K(±350K)

### Ordering Information

24V DC

#### 5050 SERIES

Model	Power(W/M)	Lumen(LM/M)	CRI	PCB Width	Cut Segment	Series Connection Length
<b>30 LEDs/M</b>						
EF5050XX3024V	7.2W	N/A	>80/90	10mm	200mm	10M
<b>60 LEDs/M</b>						
EF5050XX6024V	14.4W	N/A	>80/90	10mm	100mm	10M

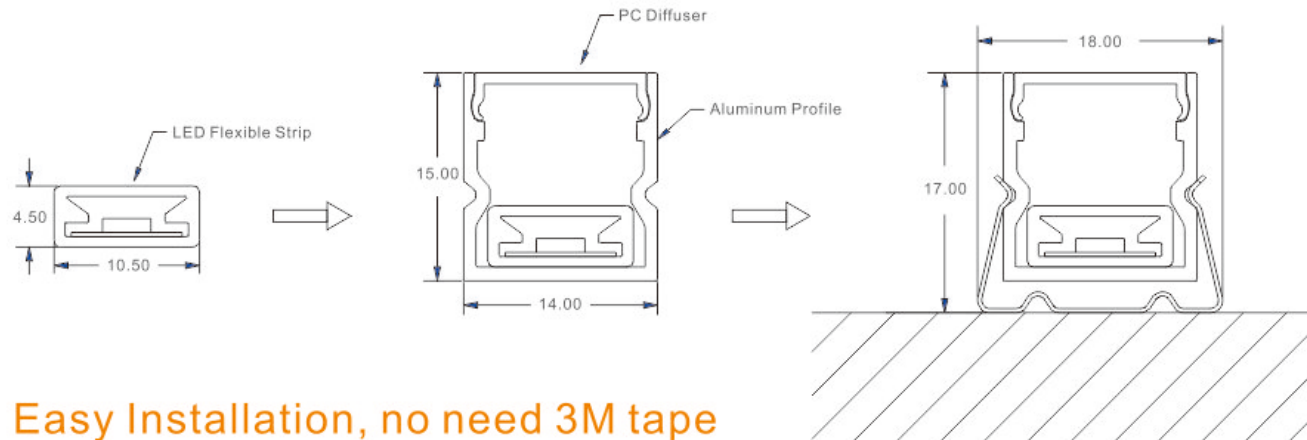
【Color】 RGB



## >IP65 FLEXIBLE STRIP SERIES

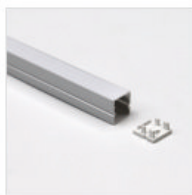


LED Chip ONE BIN ONLY.  
 MAX 3 Step MacAdam.  
 Ra80/Ra90/Ra95.  
 IP20/IP65/IP67.  
 Warranty 5 years.  
 CE & UL Approval.  
 Available in customized spec.



Easy Installation, no need 3M tape

### Accessories



**EL025**  
Aluminum Mounting Rail

\*The CCT are measured with an accuracy of  $\pm 100K$   
 \*The power consumption with tolerance  $\pm 1W$   
 \*Luminous flux tolerance  $\pm 10\%$   
 \*Detailed product datasheet contact ECO LITE Sales

### Ordering Information

24V DC

#### 2835 SERIES

Model	Power(W/M)	Lumen(LM/M)	CRI	PCB Width	Cut Segment	Series Connection Length
<b>60 LEDs/M</b>						
EF2835XX60A24V-WF1	4.8W	408LM	>80/90	8mm	100mm	15M
EF2835XX60B24V-WF1	7.68W	720LM	>80/90	8mm	100mm	10M
EF2835XX60C24V-WF1	9.6W	1050LM	>80/90	8mm	100mm	10M
<b>96 LEDs/M</b>						
EF2835XX96A24V-WF1	7.68W	750LM	>80/90	8mm	62.5mm	10M
EF2835XX96B24V-WF1	11.52W	1125LM	>80/90	8mm	62.5mm	10M
EF2835XX96C24V-WF1	15.5W	1513LM	>80/90	8mm	62.5mm	5M
EF2835XX96D24V-WF1	19.2W	1875LM	>80/90	8mm	62.5mm	5M
<b>120 LEDs/M</b>						
EF2835XX120A24V-WF1	9.6W	1050LM	>80/90	8mm	50mm	10M
EF2835XX120B24V-WF1	14.4W	1406LM	>80/90	8mm	50mm	5M
EF2835XX120C24V-WF1	19.2W	1875LM	>80/90	8mm	50mm	5M
EF2835XX120D24V-WF1	24W	2343LM	>80/90	8mm	50mm	5M
<b>240 LEDs/M</b>						
EF2835XX240A24V-WF1	19.2W	1905LM	>80/90	15mm	25mm	5M
EF2835XX240B24V-WF1	28.8W	2812LM	>80/90	15mm	25mm	5M

【Color】 2200K/2700K/3000K/ 3500K/ 4000K/5000K/5700K/6500K/Red/Green/Blue

### Ordering Information

24V DC

#### 335 Side View SERIES

Model	Power(W/M)	Lumen(LM/M)	CRI	PCB Width	Cut Segment	Series Connection Length
<b>96 LEDs/M</b>						
EF3535XX96A24V-WF1	7.68W	750LM	>80/90	8mm	62.5mm	10M

【Color】 2700K( $\pm 150K$ ), 3000K( $\pm 150K$ ), 3500K( $\pm 200K$ ), 4000K( $\pm 200K$ ), 6350K( $\pm 350K$ )

### Ordering Information

24V DC

#### 5050 SERIES

Model	Power(W/M)	Lumen(LM/M)	CRI	PCB Width	Cut Segment	Series Connection Length
<b>30 LEDs/M</b>						
EF5050XX3024V-WF1	7.2W	N/A	>80/90	10mm	200mm	10M
<b>60 LEDs/M</b>						
EF5050XX6024V-WF1	14.4W	N/A	>80/90	10mm	100mm	10M

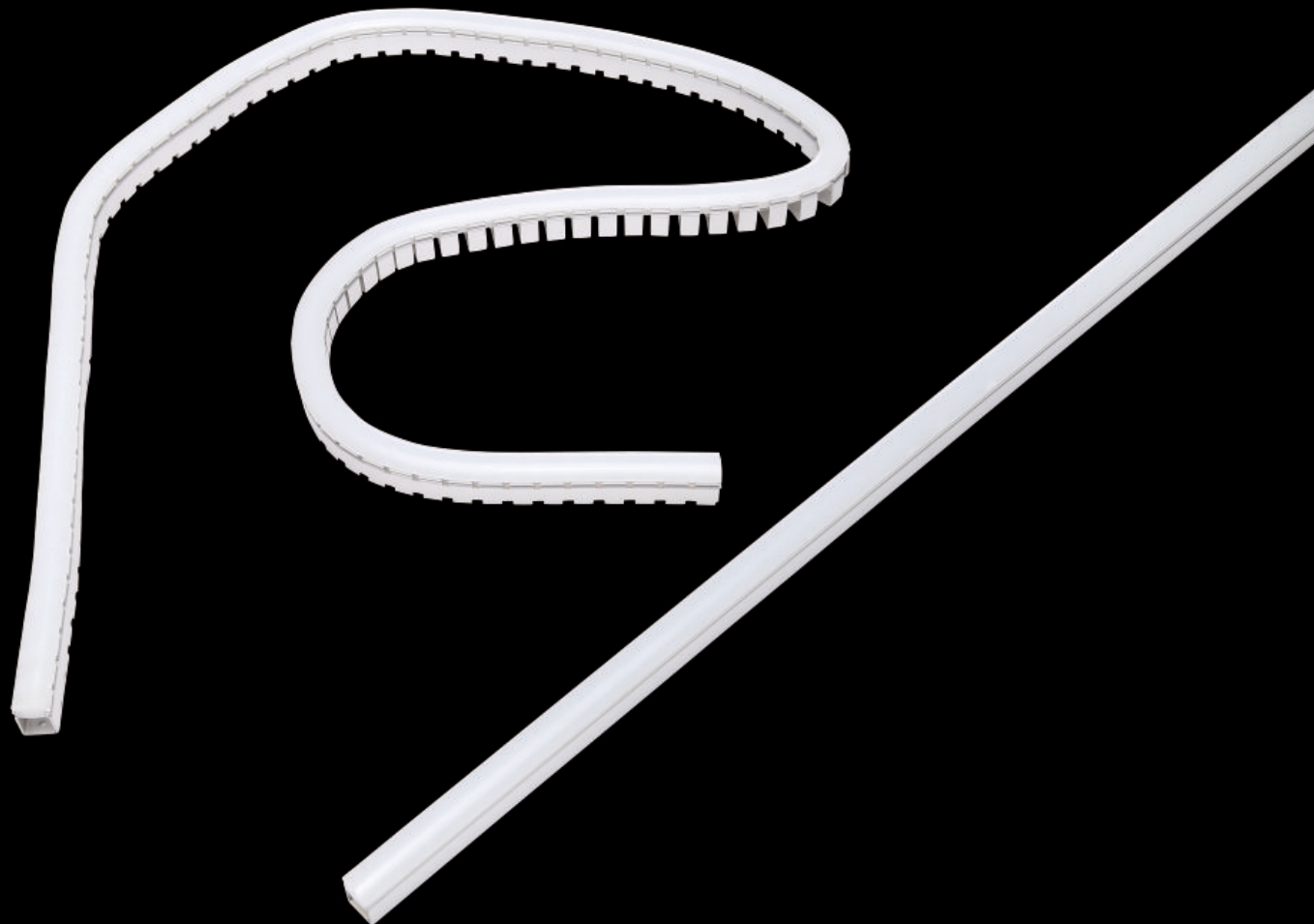
【Color】 RGB



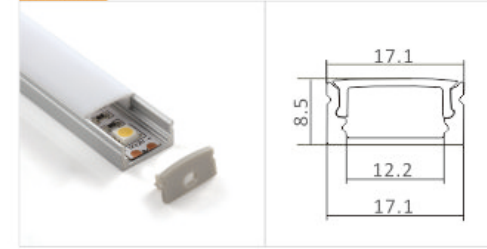
# ALUMINUM PROFILE



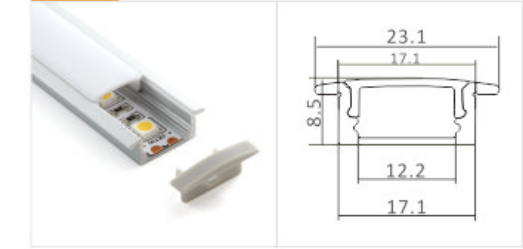
Elaborate design of LED Linear Profile for LED Strips make it possible to design lighting fixtures in any size and shape on desire, which can mount to the surface with bracket. It can be installed as recessed or surface mount. This product suits to ornamental lighting on building and lighting for furniture, hotel and home use and so on.



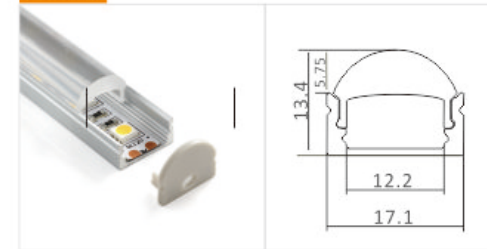
EL001



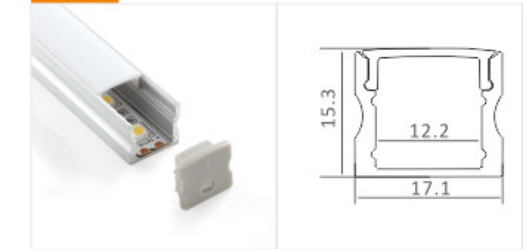
EL002



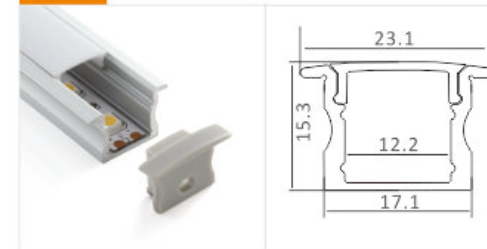
EL003



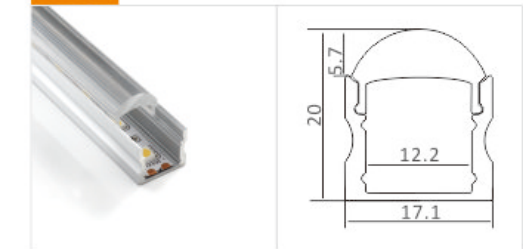
EL005



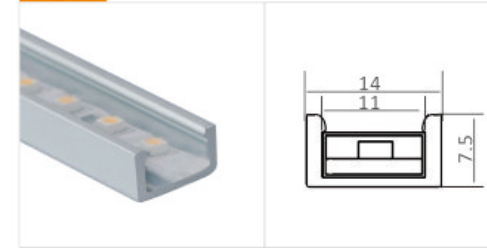
EL006



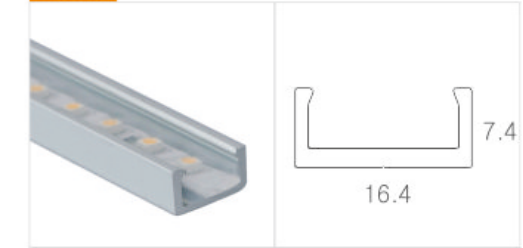
EL007



EL008



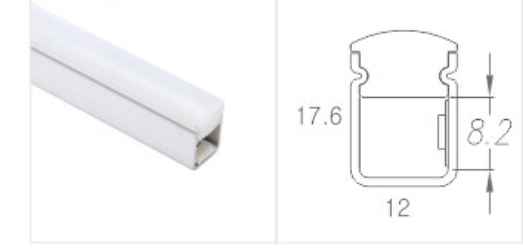
EL009



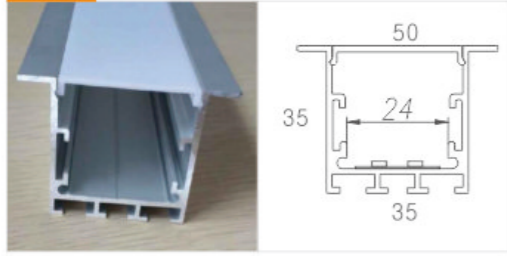
EL010



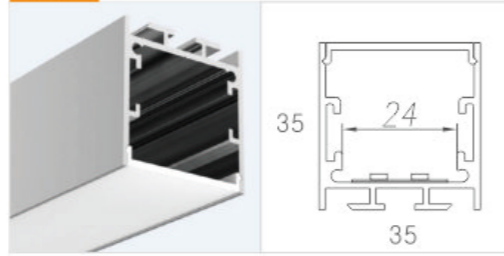
EL012



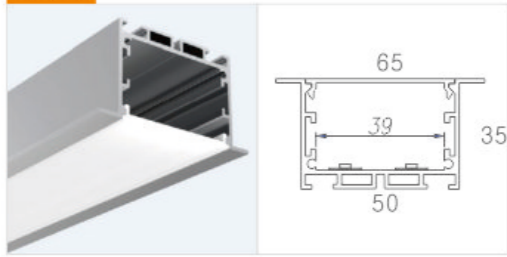
EL013



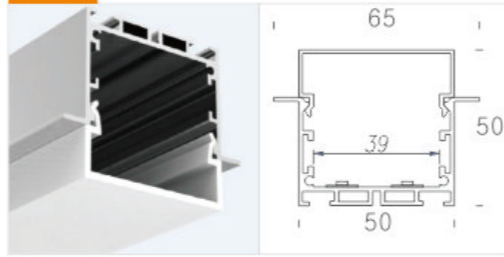
EL015



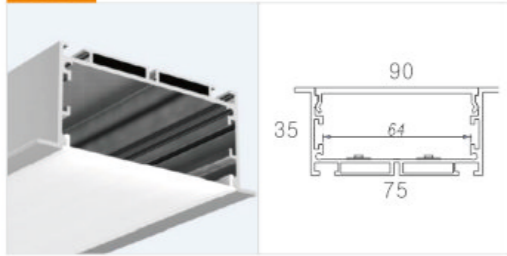
EL016



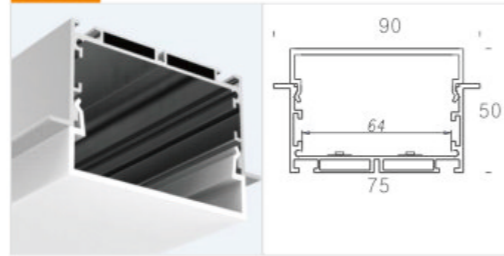
EL017



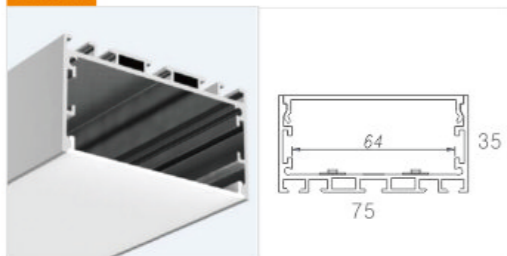
EL018



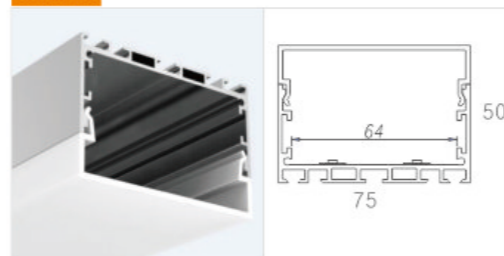
EL019



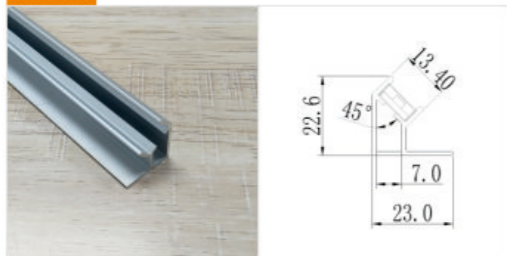
EL020



EL021



EL022



EL023

